



CORNER STAR

INSECT & SECURITY SCREENS

PRODUCT GUIDE

cornerstarsa.co.za

Pg	CONTENTS
3	Company
4	Sales Motivators
5	Product Materials
6	What to consider
7-8	IS - Window Series
9-10	IS - Hinged Series
11-12	IS - Sliding Series
13-15	SS - Hinged Series
16-18	SS - Sliding Series
19-21	SS - Folding Series
22	Support & Ordering
23	Branches

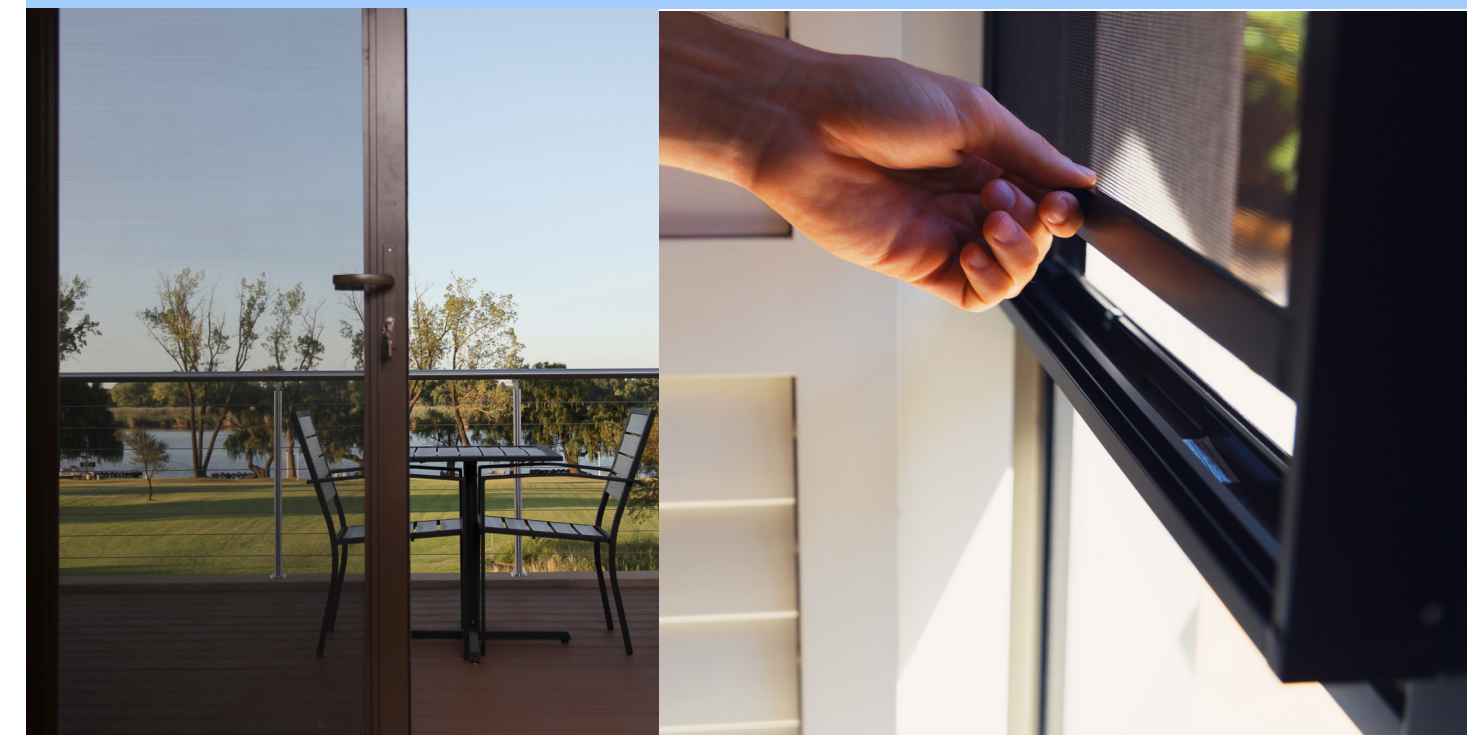
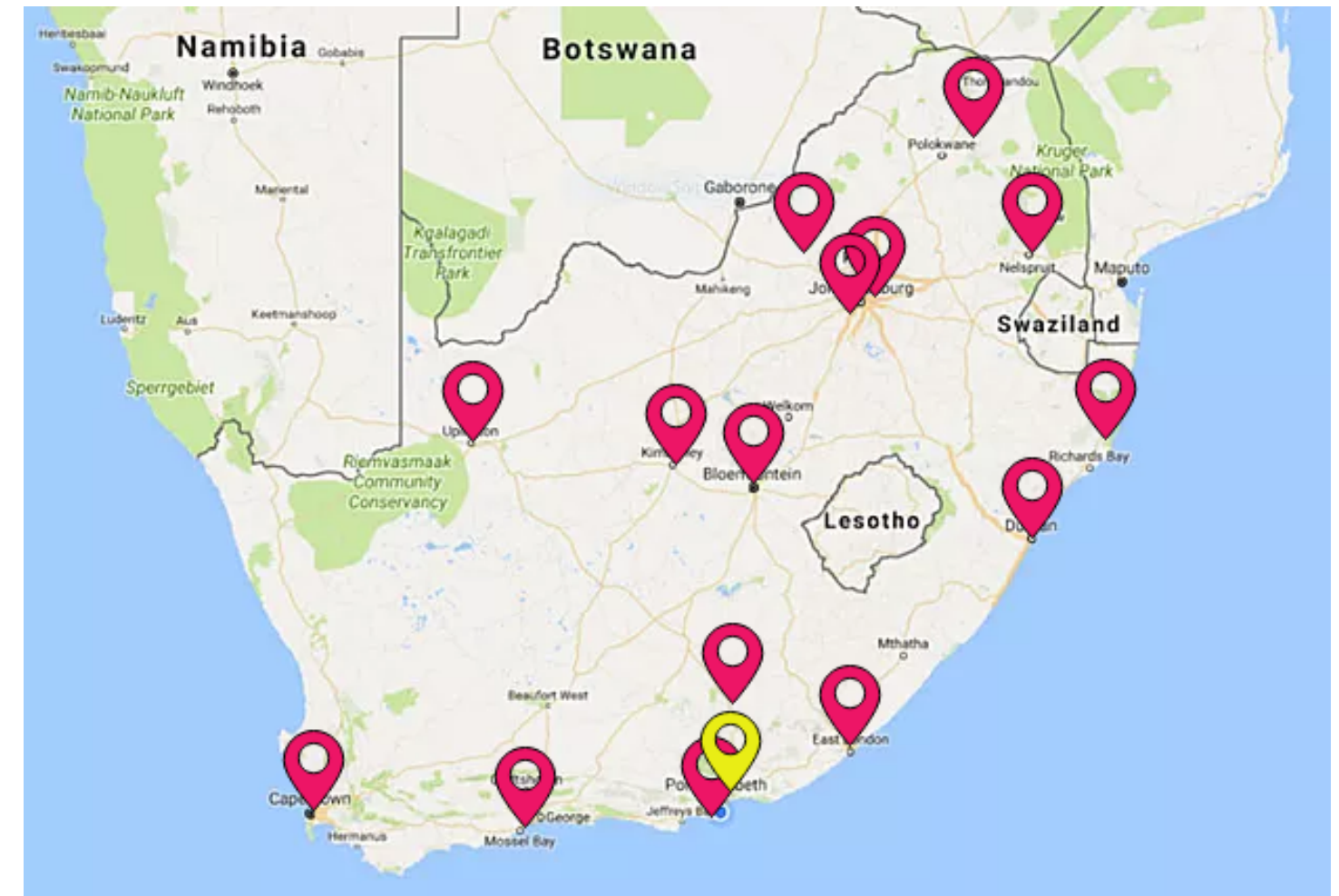


Our Company



Founded in 2000 (Port Elizabeth), we started as an insect screening company driven to provide a more aesthetic and functional product.

In the past 20 years we have grown our footprint and have become the most recognised Insect & Security Screening Brand in Southern Africa



Why a Corner Star Screen?

Intruder resistant system available

Corrosion free materials

Style & Practicality to match the home

A Clearer view of over 156 degrees

No Glare and low light loss

Reduce solar heat by 50%

Insect free space in your home

Reduce Dust & Allergens in the home

Increase airflow in the home

A product thats almost invisible, there is no product like it. ✓

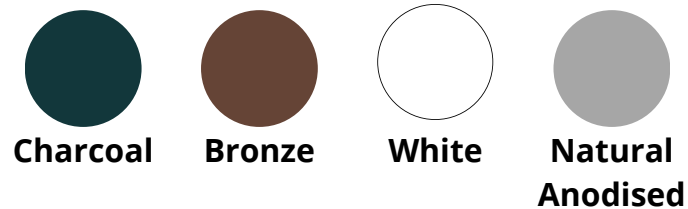


Hardware & Materials

Aluminium Profiles

- Anodised and powder-coated aluminium frames are resistant to oxidisation and corrosion
- Extrusions are extruded by Wispeco Aluminium right here in South Africa
- Range of Standard & Special Colours
- Aluminium Alloy 6063 Grading, 1.2-1.5mm Wall thickness

Standard Colours



Insect Screen Mesh

- Fibreglass Woven Mesh
- UV Protected
- Fire Resistant
- Woven design small enough to stop mosquitoes
- Clear views of over 156 degrees

Security Screen Locks

- Product comes standard with Level 9 Security Hook locks with optional key alike
- Upgrades to 3 point locks available (CISA)

Security Screen Mesh

- 316 Marine grade stainless Steel
- Industry Leading 0.9mm Woven Mesh
- Industry Leading Panel Width of 1.4m
- Superior Tensile Strength
- Woven knit design small enough to stop mosquitoes
- Clear views of over 156 degrees
- Zero glare powder coat (Low Glare Matt Black)



Offering the best option for...

Key things to consider

- **Replicate the opening** - Use a configuration that mirrors the door or window
- **Observe obstructions** in the immediate area
- **Observe the handle** of the door or window



**single doors &
Passages**



Double doors



Top hung windows



Side hung windows



**Verticle Sash
Windows**



**2,3 & 4 panel sliding
doors**

WINDOW SERIES

INSECT SCREENS

MEASURING

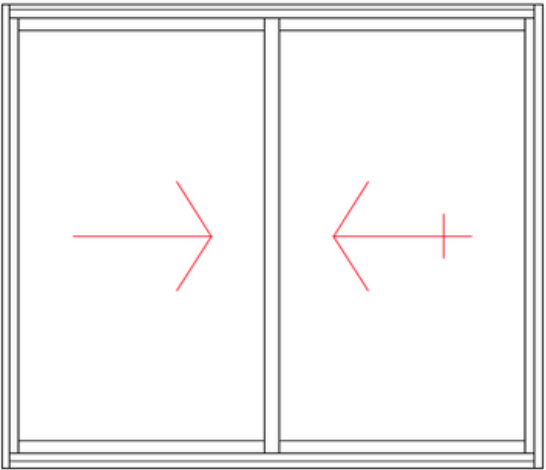
The Corner Star window screens have been designed to with a unique cornering system that is built with premium quality materials to ensure the best quality flyscreen in South Africa.

Made to fit any type of window system.

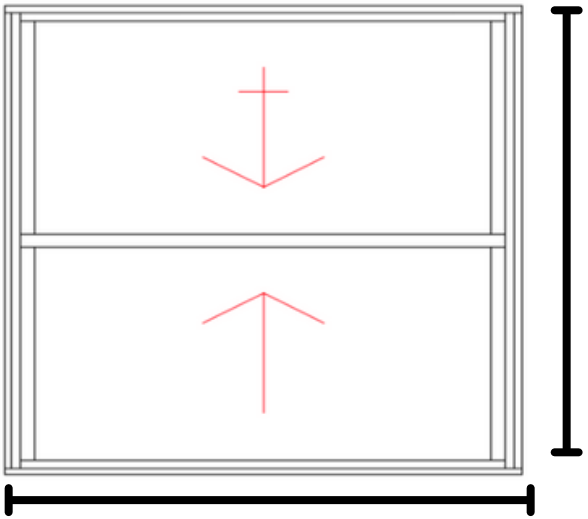
The design has no moving parts like a roll type screen and therefore minimal cleaning is required.

The Vertical Sliding window screen option fits any type of top hung or hinged window in order to slide the bottom half open to get to your window handle.

The Horizontal Sliding mosquito screens for windows slides sideways for a similar sliding existing window opening.



Smallest reveal/finished drop of window opening



Smallest reveal/finished width of opening window



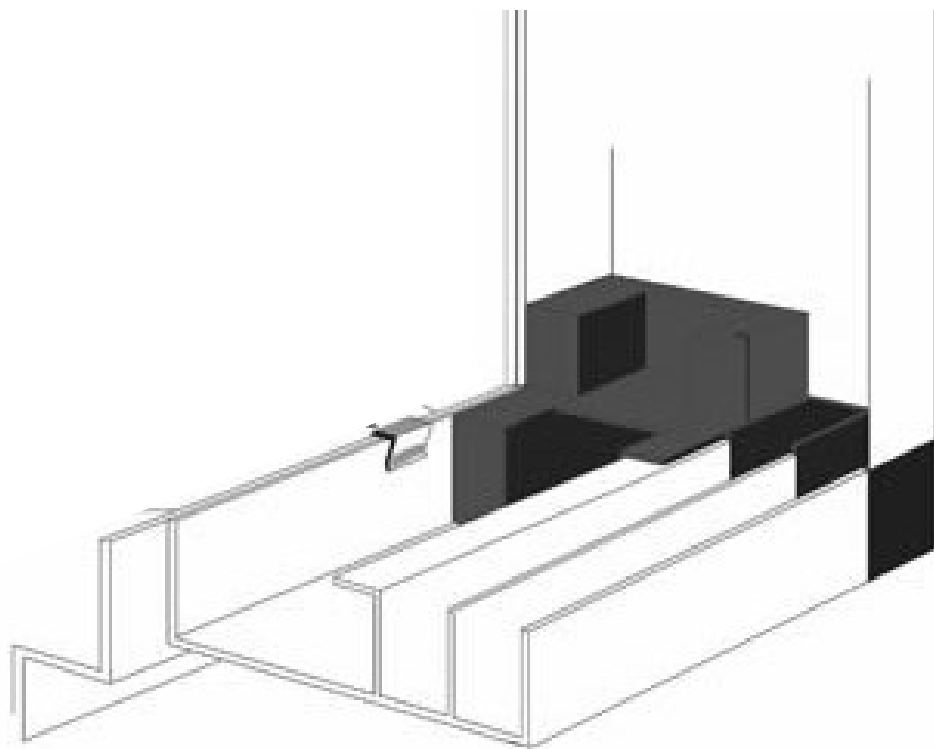
- Advise which colour will match
- Observe handle position to determine what sliding solution will work.
- Take a photo if necessary.
- Confirm whether burglar bars will need cutouts on the screen frame to accommodate



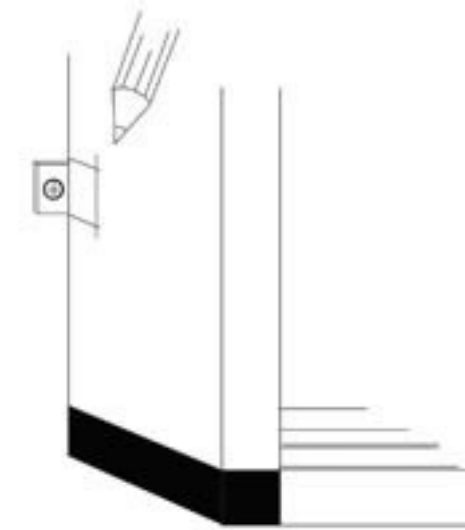
INCLUDED IN FITMENT PACK:

- Packet of 6 Clips

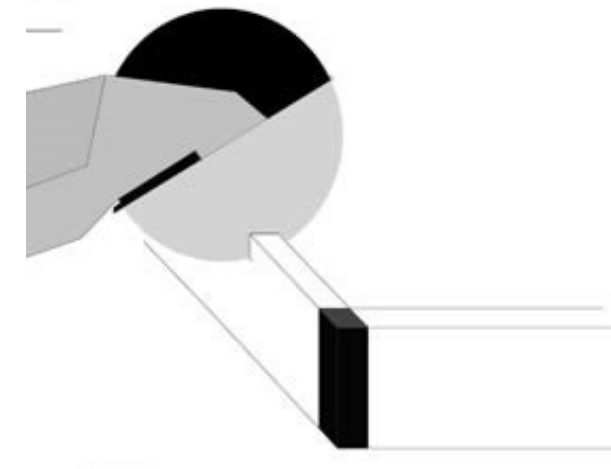
INSTALLATION



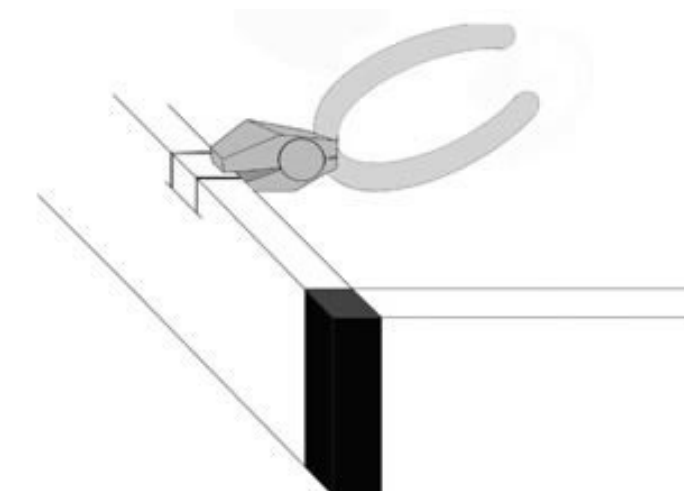
- On steel & aluminium windows the flyscreens easily just clip onto the existing window frame as shown in the diagram.
- On wooden windows the flyscreens just screw into the wood with a small 8mm wooden screw



1. Place screen in front of window with burglar bars.
2. Mark where the cutouts need to be cut.



3. Use a 1mm Steel grinding disc.
4. Cut into the frame on the marked lines.



5. Use a pliers to remove the pieces.
6. Fit screen in place.
7. Fill any small apertures with silicone.

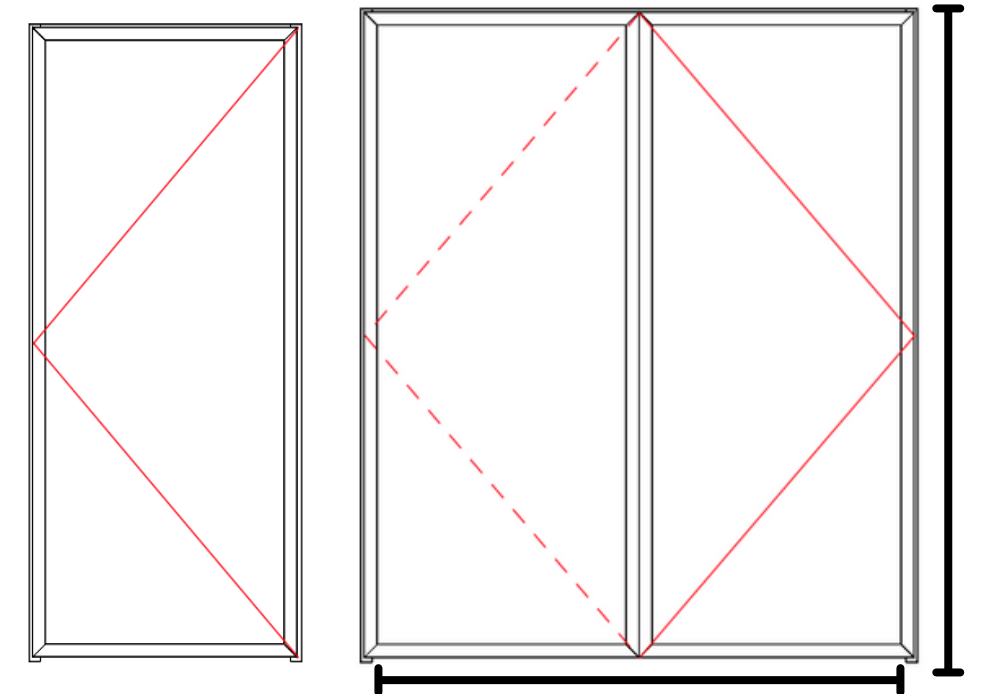
ON WINDOWS WITH BURGLAR BARS

HINGED SERIES

INSECT SCREENS

MEASURING

Smallest reveal
drop of opening



Smallest
reveal/finished width
of opening window

- Advise which colour will match
- Observe handle height in order to adjust screen handle placement.
- Confirm Subframe Option
- Take a photo if necessary.
- Confirm view/fitted inside or outside
- Confirm Handle side
- Confirm extra options: Pet Flaps, Door Closers etc

Stylish designed door screens popularly known as your kitchen or front door screen manufactured to any size opening.

The Door Screens Hinged Series of Corner Star features the Hinged door screens that are a great option to match your current front or back door and even hinged window screens as a window solution having no bars across to obstruct your view. For larger Double door openings, our double hinged door screen solution can be a great practical option.

In addition, this type of door screens does not take up much space when they are installed and accessories can be added like an automatic door closer to close an opening automatically when traffic passes through.



HINGED SERIES

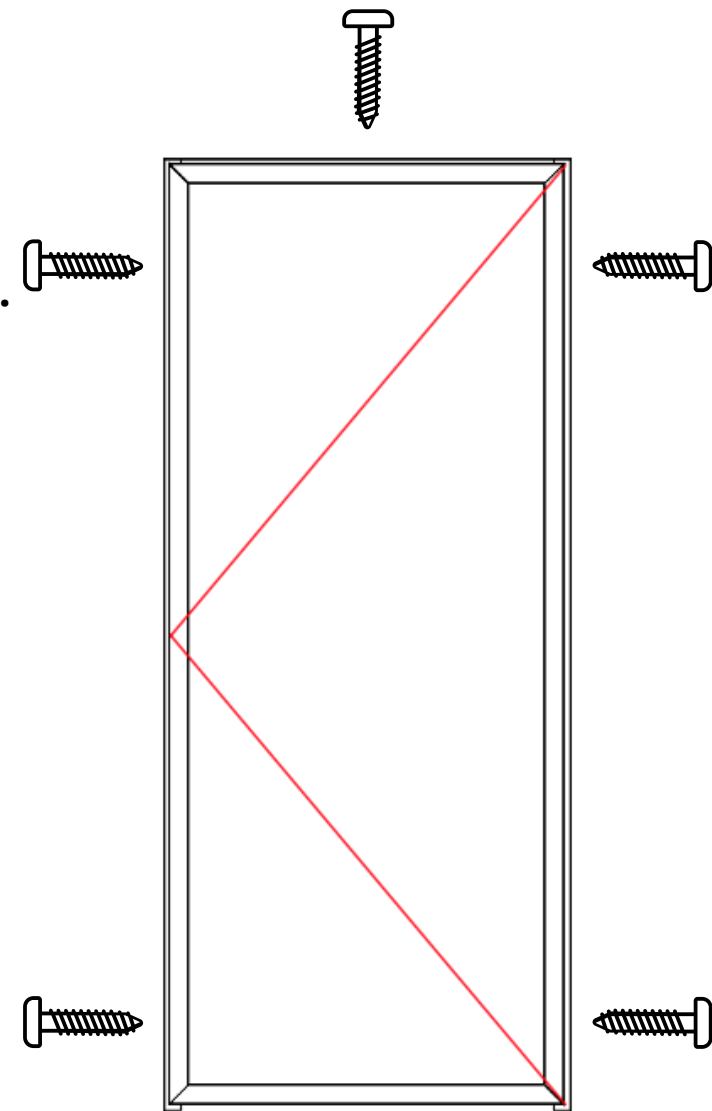
INSECT SCREENS

INSTALLATION

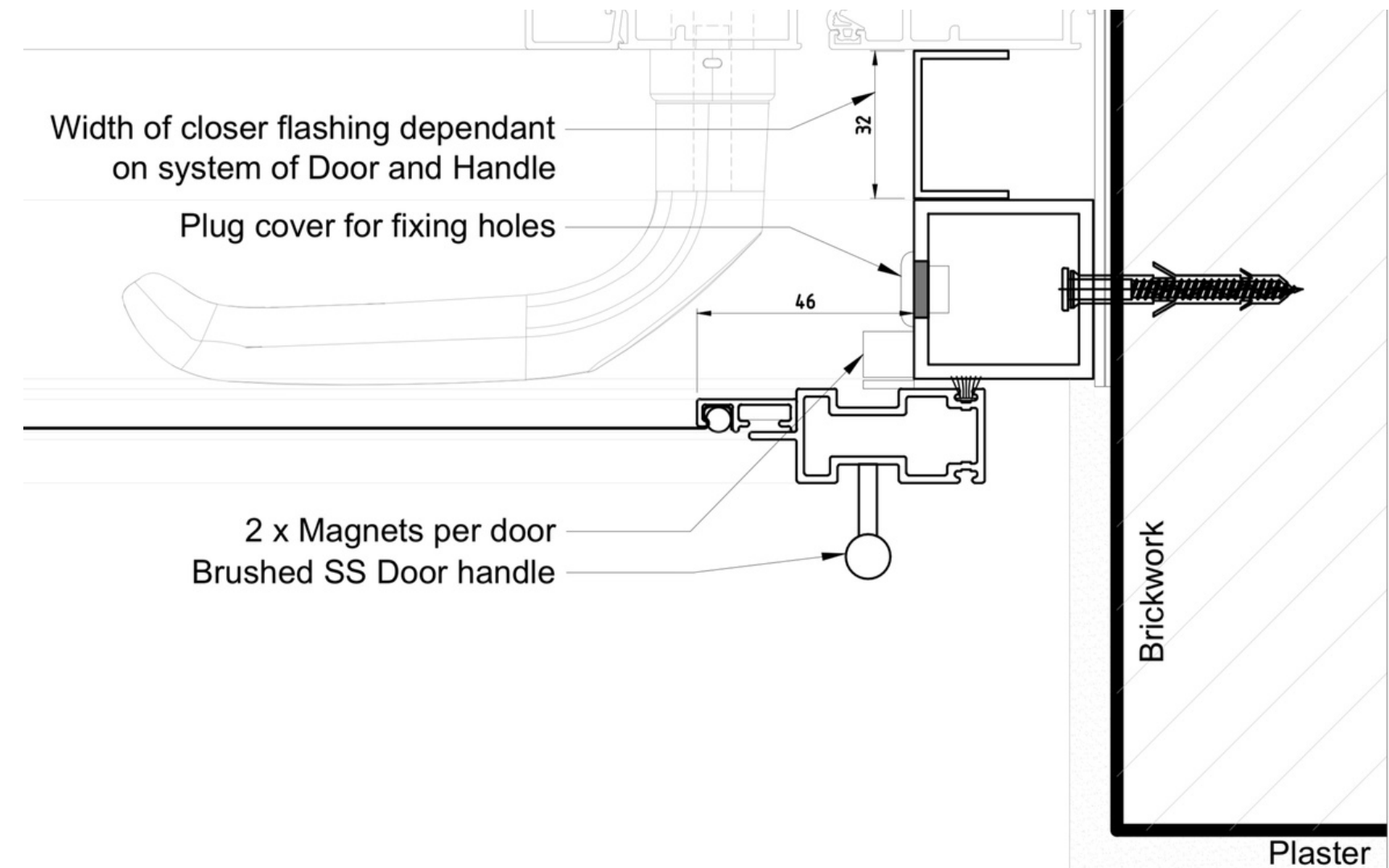
1. Place door screen with subframe in desired position.
2. Drill 13mm holes in subframe.
3. Secure subframe with fixing anchors.
4. Test opening & Closing door
5. Install handle & magnets on door screen.
5. Install brush weather strip to seal bottom of door.

INCLUDED IN FITMENT PACK:

- Handles
- Magnets
- Brush weather strip
- Door Plugs
- 6 Fixing Anchors



TOP VIEW



SLIDING SERIES

INSECT SCREENS

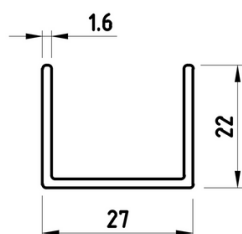
Our versatile range of Flyscreen Doors for Sliding Doors can be customized to cover any type of existing Sliding Door or patio.

Effortless Fly Screen Door Sliding System

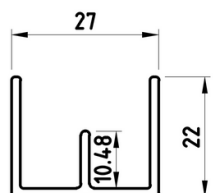
The Flyscreen Doors Sliding Series of Corner Star is a popular door screen for your existing glass sliding door. This range consists of a lightweight track system that is installed to match the total width of your current sliding door and door sash profile with mesh to cover only the opening of your sliding door.



- Advise which colour will match
- Observe handle position to determine what sliding solution will work.
- Take a photo if necessary.
- Measure from Wall to fixed upright for partial covering.
- Confirm whether existing door handle protrudes past current interlocker.



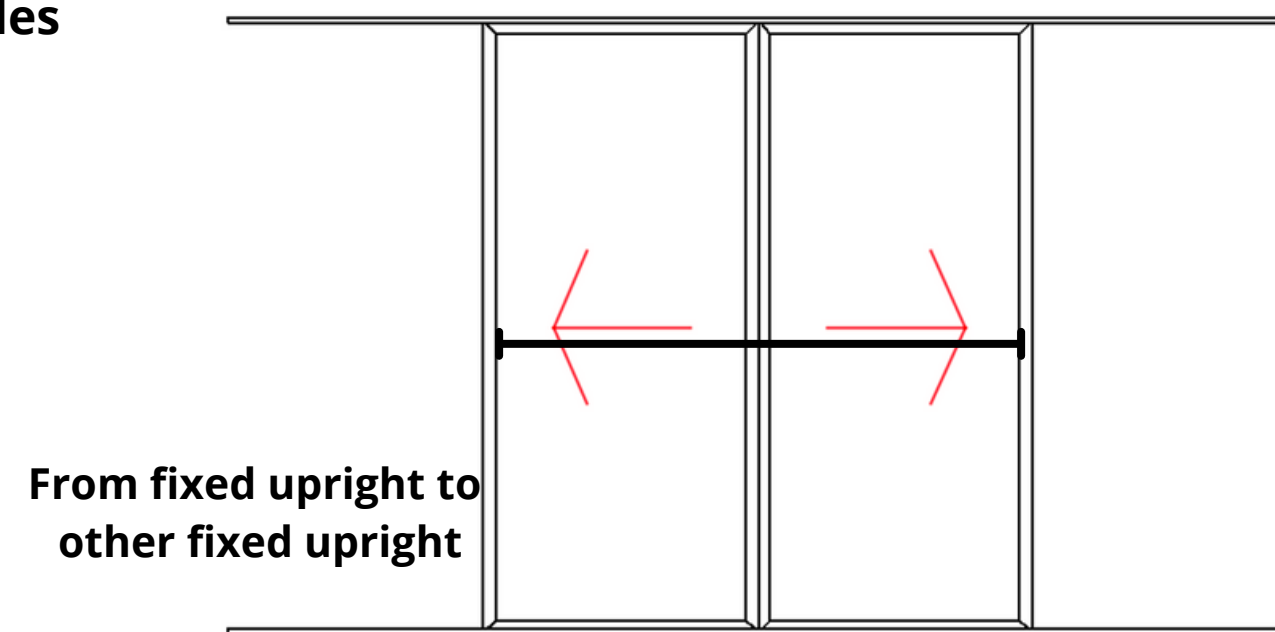
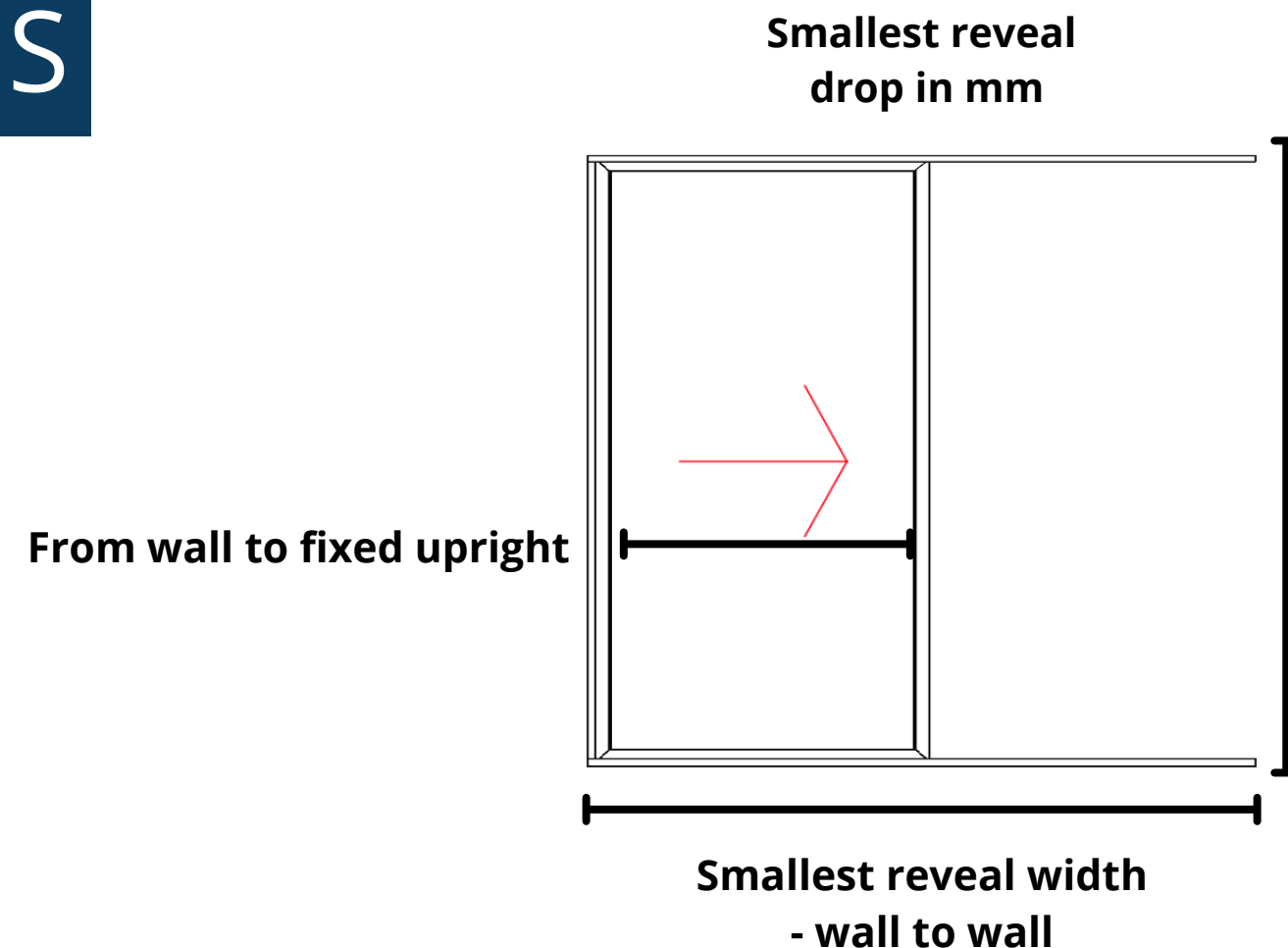
Top & Side Track



Bottom Track

TRACK SIZES

MEASURING



SLIDING SERIES

INSECT SCREENS

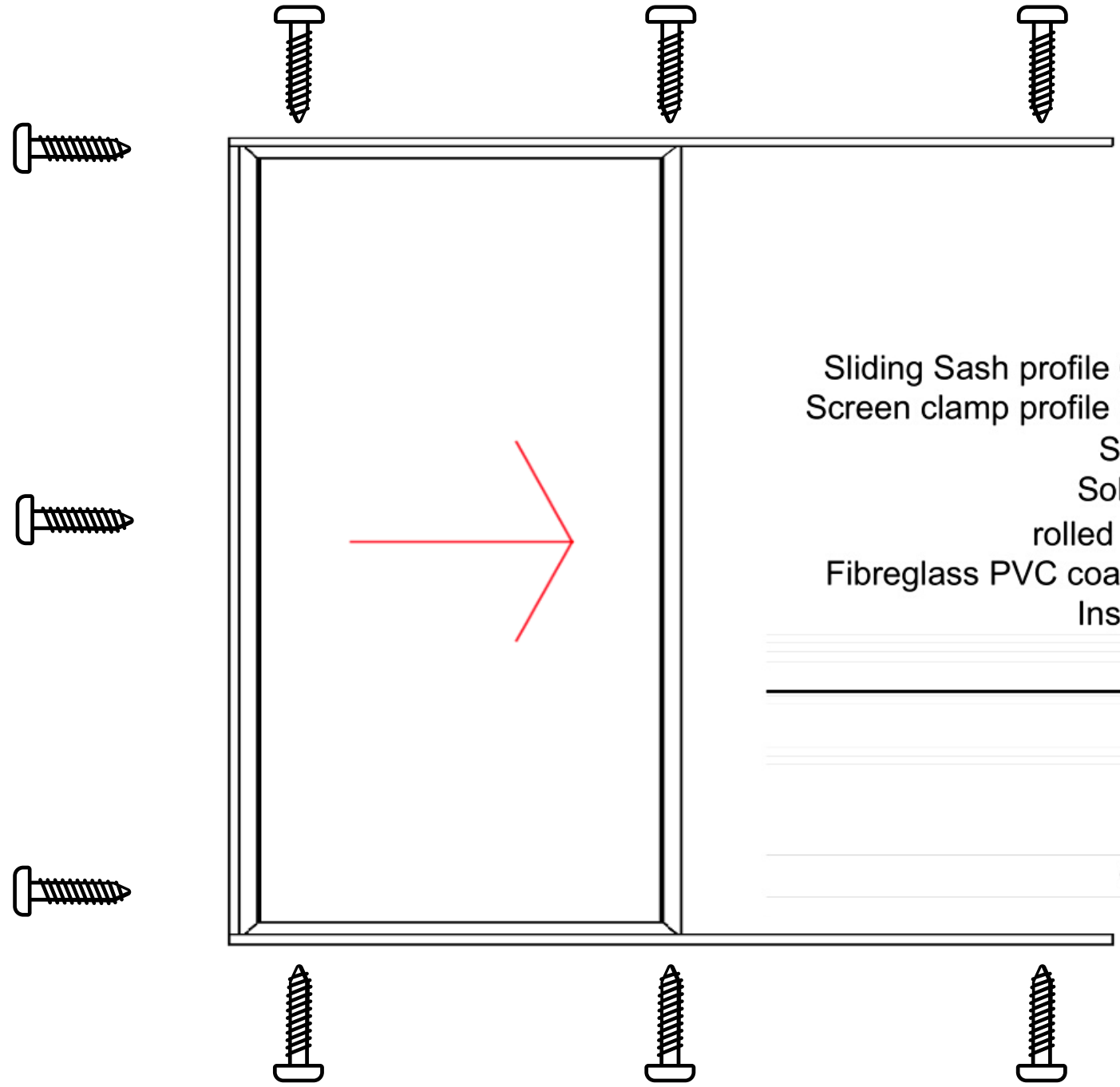
INSTALLATION

- 1. Place Sill in position & drill fixing holes.
- 2. Drill 8mm holes into floor.
- 3. Secure Sill with fixing anchors.
- 4. Repeat steps 1-3 with Top & Side track
- 5. Lift door screen into top track and drop down on sill.
- 6. Install handle on door screen.
- 7. Test Screen

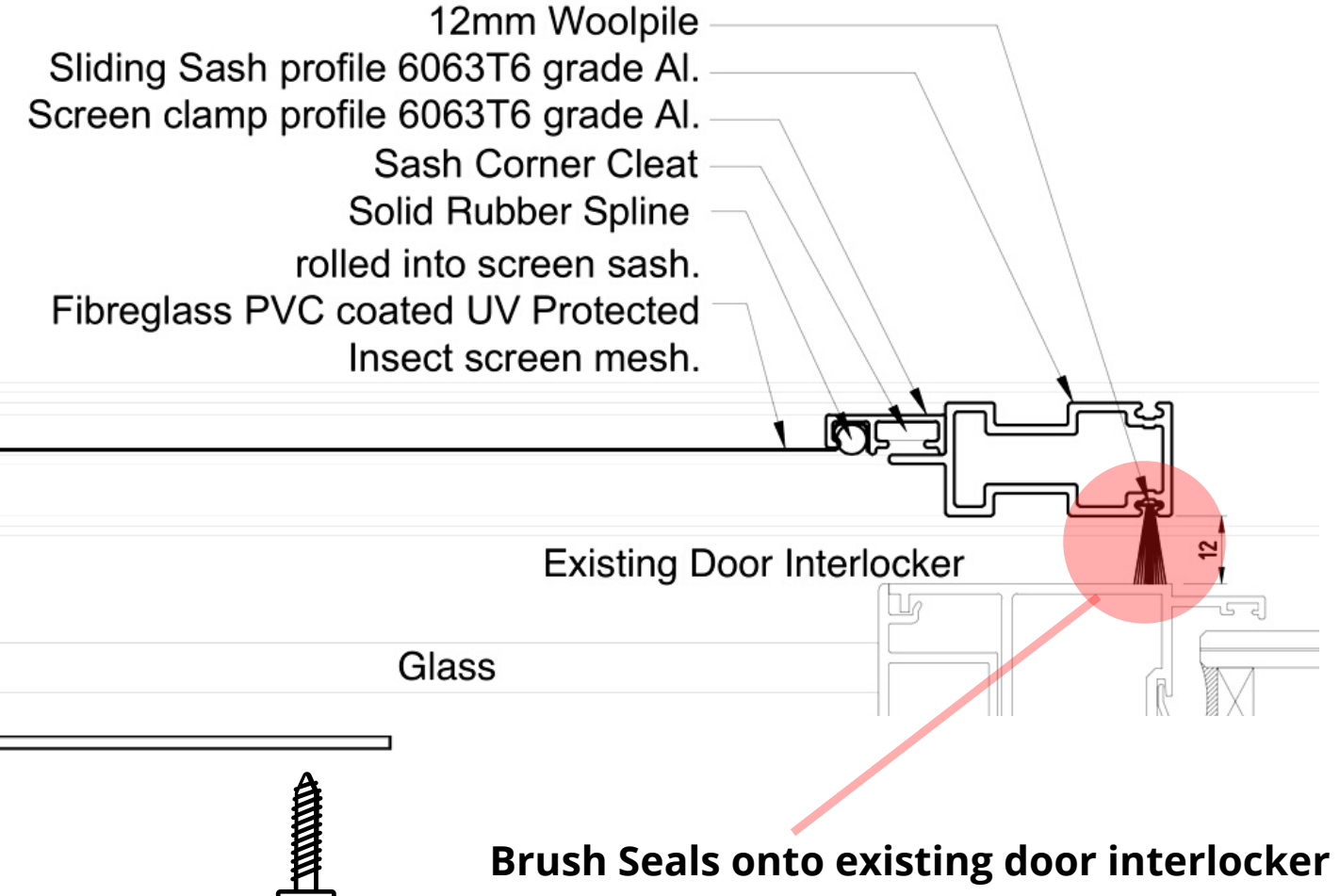


INCLUDED IN FITMENT PACK:

- Handles
- Tracks in Bundle
- Fixing Anchors
- Additional Extras



TOP VIEW

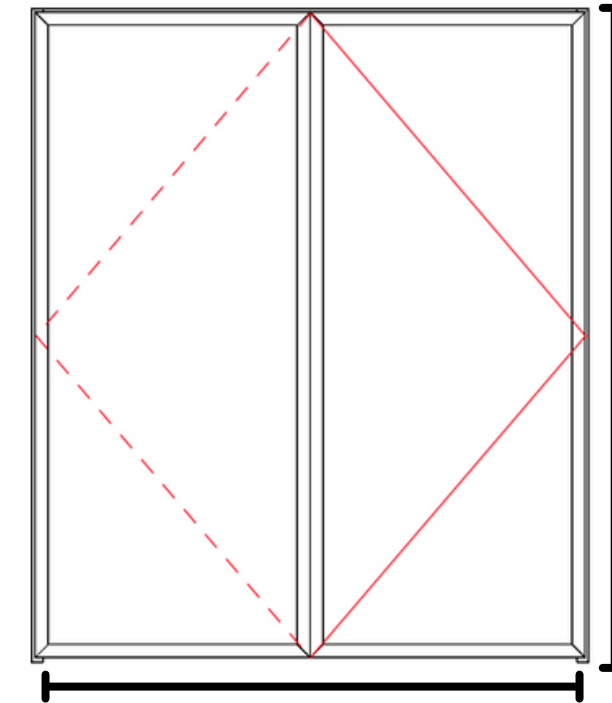
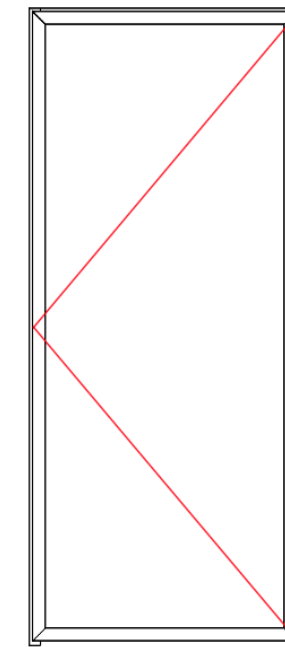


HINGED SERIES

SECURITY SCREENS

MEASURING

Smallest reveal
drop of opening



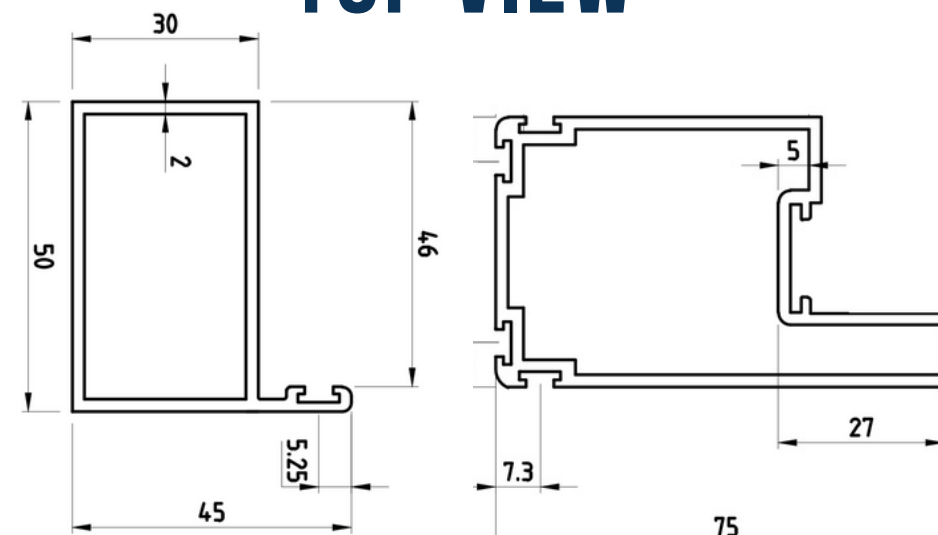
Smallest
reveal/finished width
of opening window

Hinged security doors & windows by Corner Star are a great way to keep intruders out and insects while enjoying your view. Hinged security door screens are a great option for homes, lodges, residential estates and wildlife regions. They can effectively keep out intruders, protect you and your family, and give you access to fresh air without compromising security.

Hinged security door & window screens are an excellent upgrade from the classic security gate because they provide extra security features and visibility that increase your home's decor. With almost no set-up required, hinged security screens for doors and windows are easily installed to your doorway or in your window space with high quality profiles, hardware and mesh.



TOP VIEW



Frame

Door Sash

- Advise which colour will match
- Observe handle height in order to adjust screen handle placement.
- Confirm Subframe Option
- Take a photo if necessary.
- Midrail will be installed on doors over 2150mm
- Confirm view/fitted inside or outside
- Confirm locking side
- Confirm lock options
- Confirm lock cylinder options

HINGED SERIES

SECURITY SCREENS

INSTALLATION

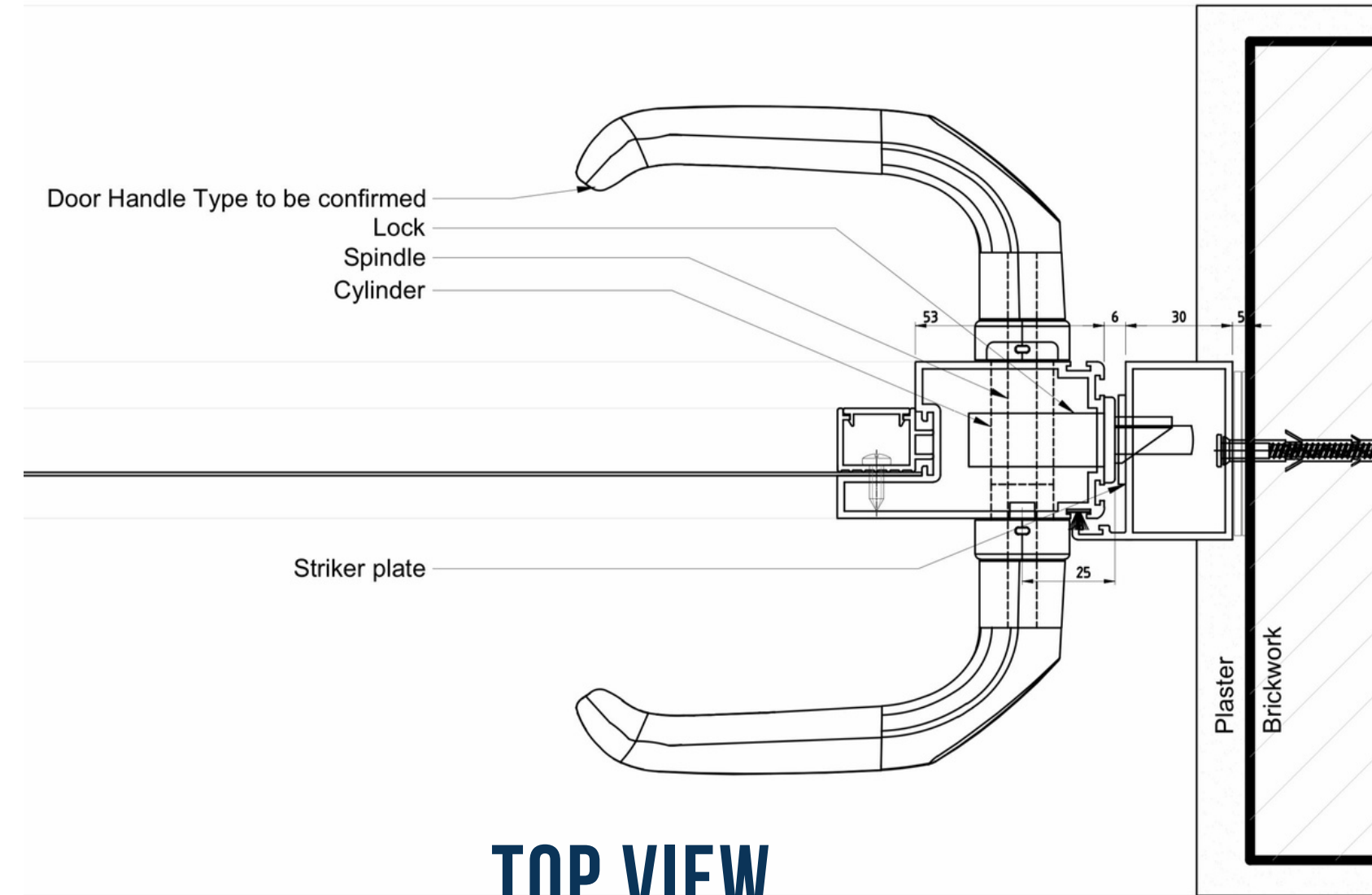
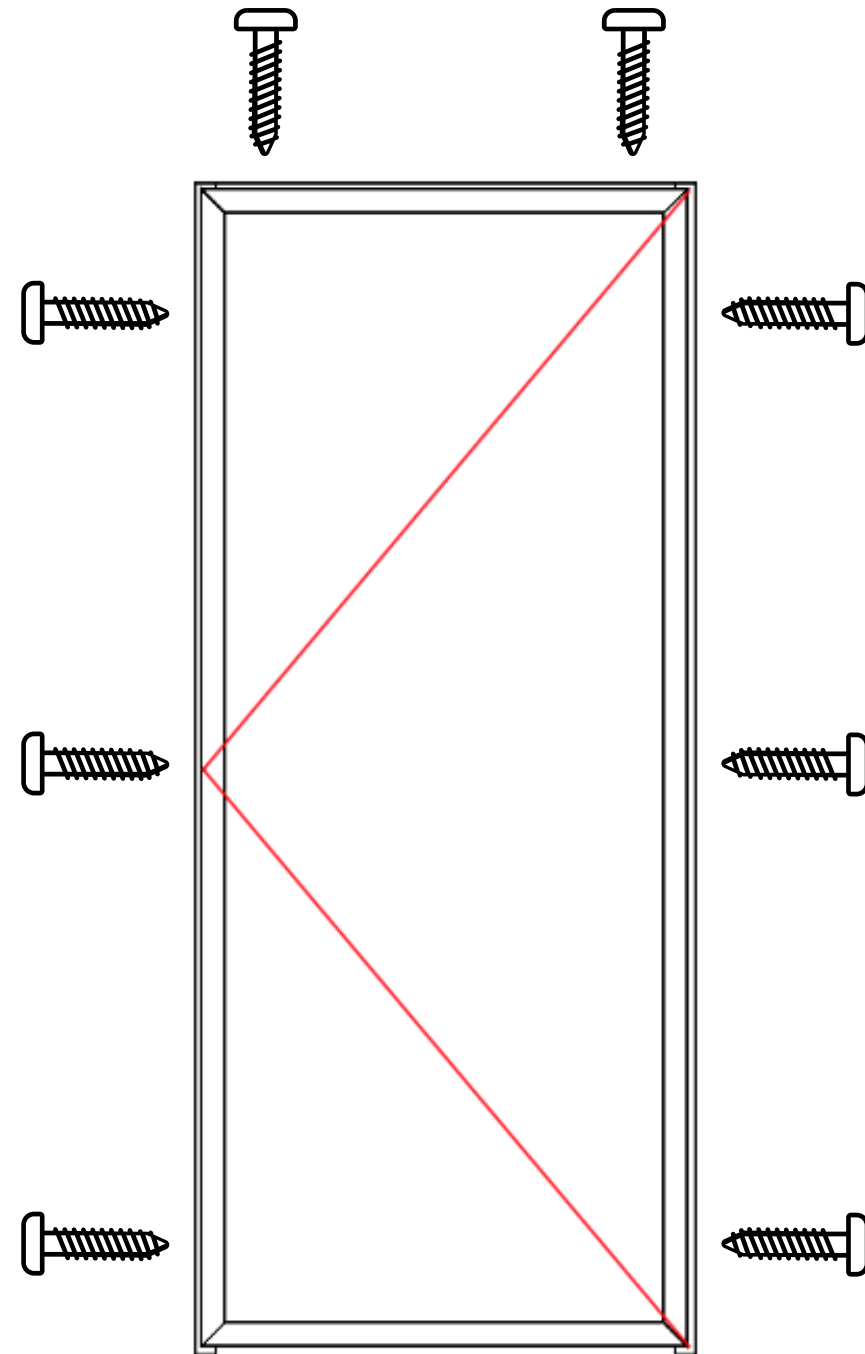
1. Place door screen with subframe in desired position.
2. Drill 13mm holes in Door Frame.
3. Level Door & Secure Frame with fixing anchors.
4. Fix Handles & Cylinder onto door.
5. Test opening & Closing door
6. Install brush weather strip to seal bottom of door if needed.
7. Add Extra Profiles for sealing.

INCLUDED IN FITMENT PACK:

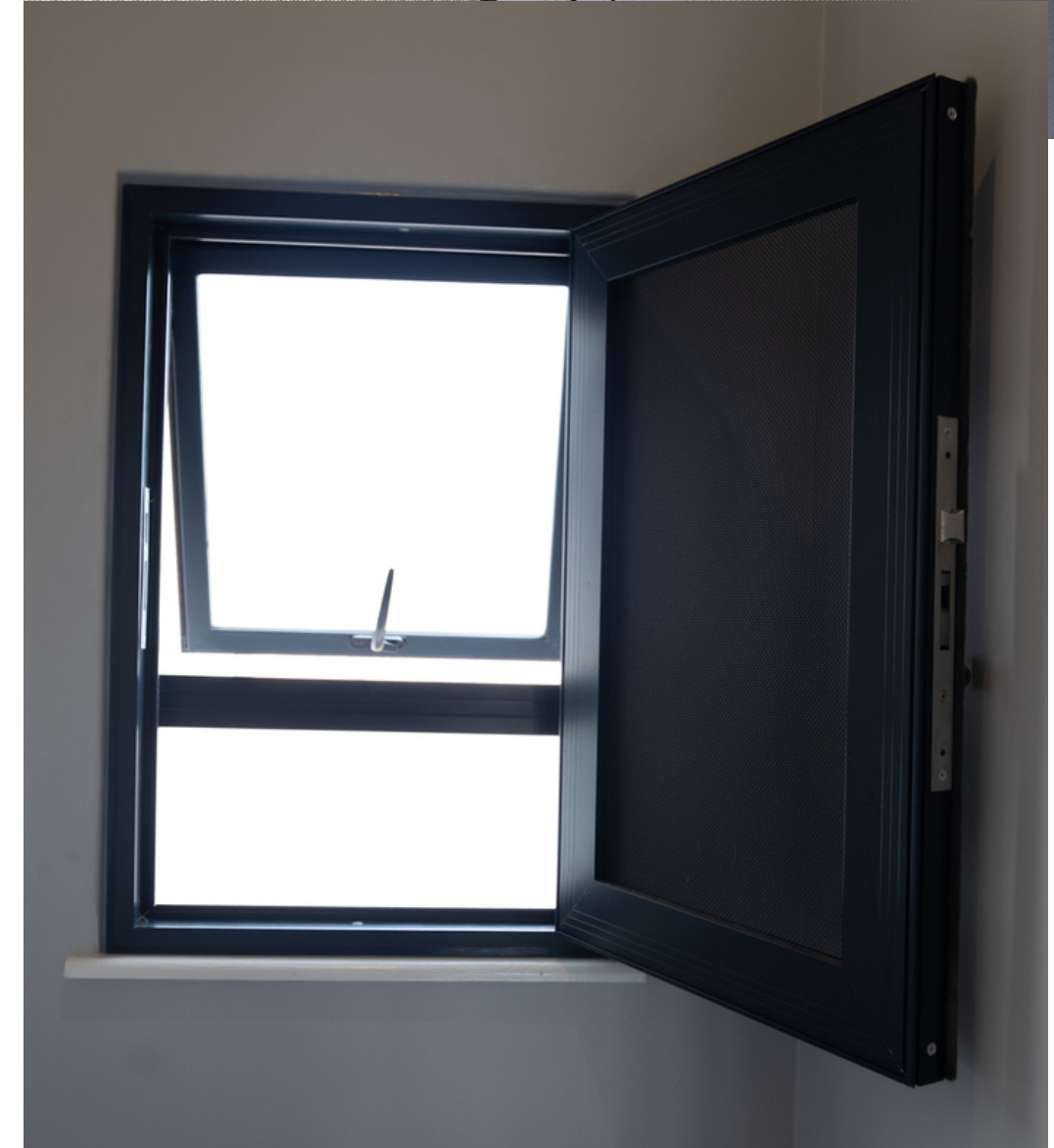
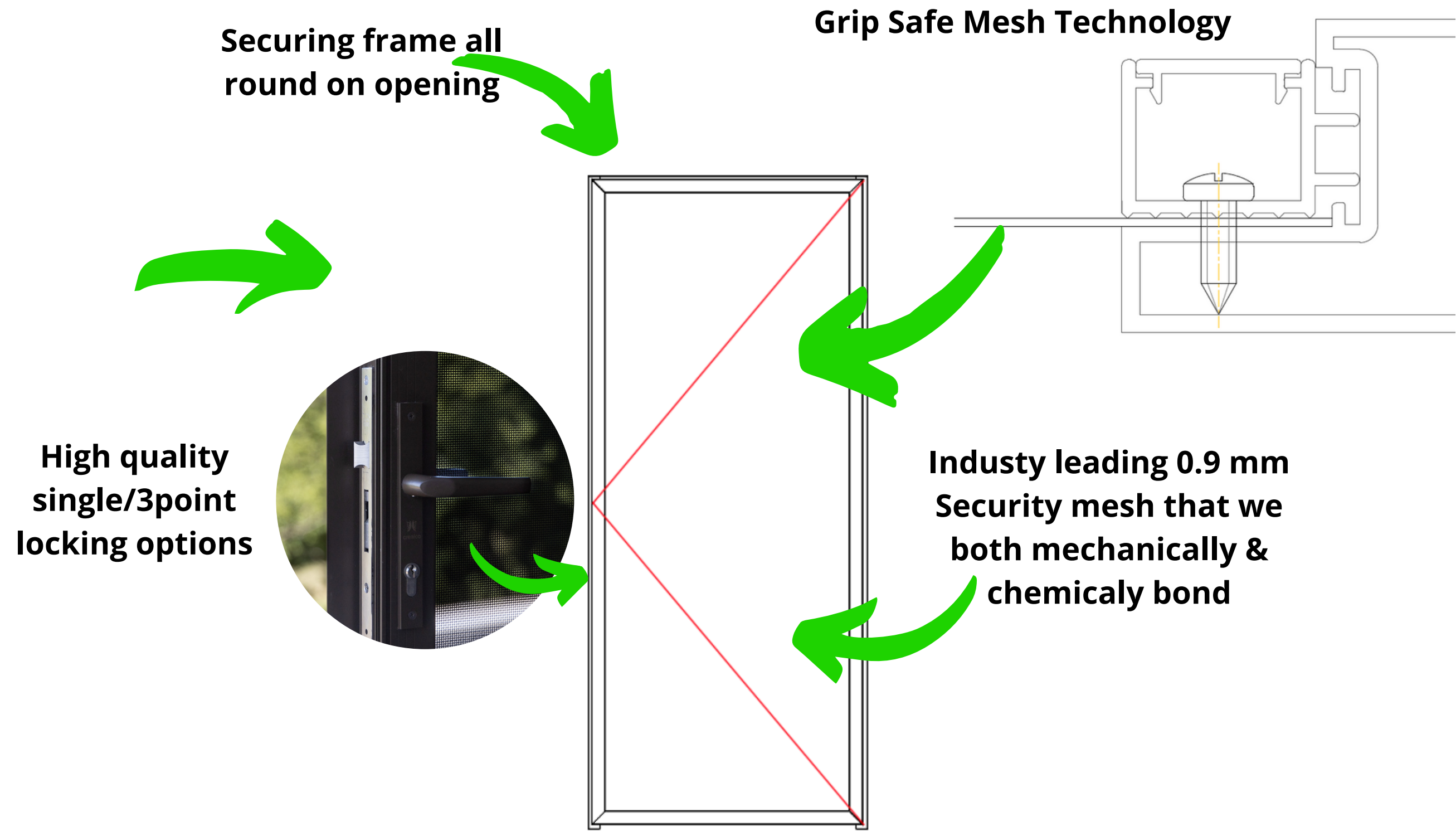
- Handles
- Keys where applicable & cylinders
- Brush weather strip
- 8 x 75mm Fixing Anchors x 8
- 13mm hole plugs

EXTRA Hardware & Accessories:

- Colour matched silicone for finishing
- Polyurethane Bonding silicone
- Angles, Flatbar, square/rectangular aluminium profiles for gaps or special requirements.



SECURITY FEATURES



SLIDING SERIES

SECURITY SCREENS

Sliding security doors are a stunning way to secure large openings such as sliding patio doors or openings. Sliding security door screens allow you to keep those blinds & curtains bar. The unique track system and cornering method gives this series a beautiful design.

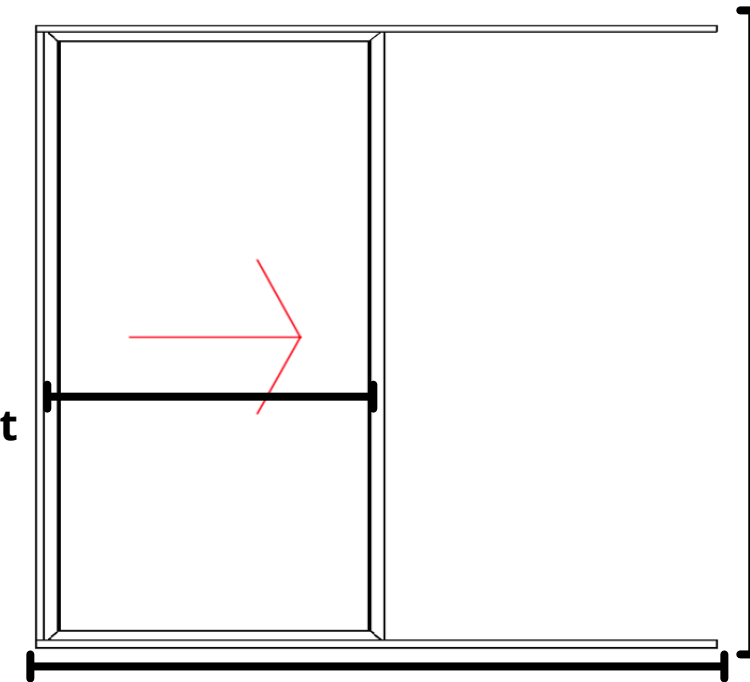
The Anti-Lift High quality Locks and interlocking panel design secures your home and prevents intruders from gaining access easily. These security screens sliding doors are perfectly suited to protect wider openings like outdoor entertainment areas and patios.



- Advise which colour will match
- Observe handle position to determine what sliding solution will work.
- Take a photo if necessary.
- Measure from Wall to fixed upright for partial covering.
- Confirm whether existing door handle protrudes past current interlocker.

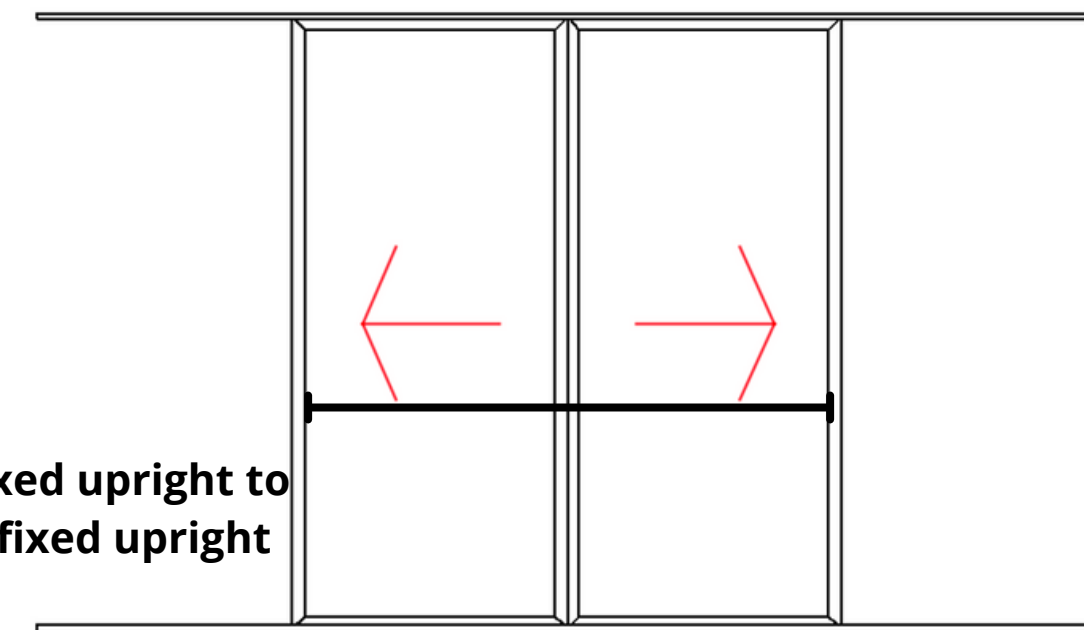
MEASURING

Smallest reveal drop in mm



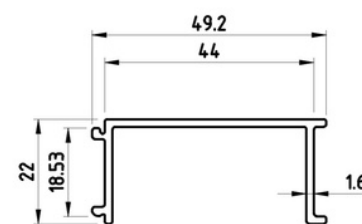
From wall to fixed upright

Smallest reveal width
- wall to wall

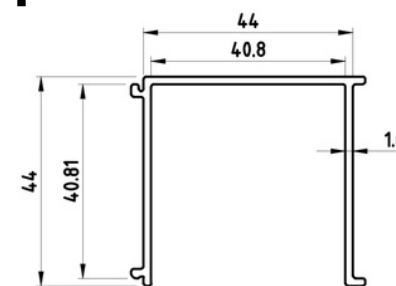


From fixed upright to other fixed upright

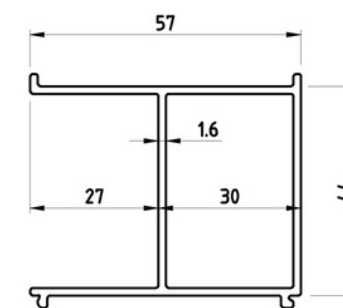
Bottom Track



Top Track



Lock Post



SLIDING SERIES

SECURITY SCREENS

INSTALLATION

- 1. Place Sill in position & drill fixing holes.
- 2. Drill 8mm holes into floor.
- 3. Secure Sill with fixing anchors.
- 4. Repeat steps 1-3 with Top & Side track
- 5. Lift door screen into top track and drop down on sill.
- 6. Install handle on door screen.
- 7. Test Screen

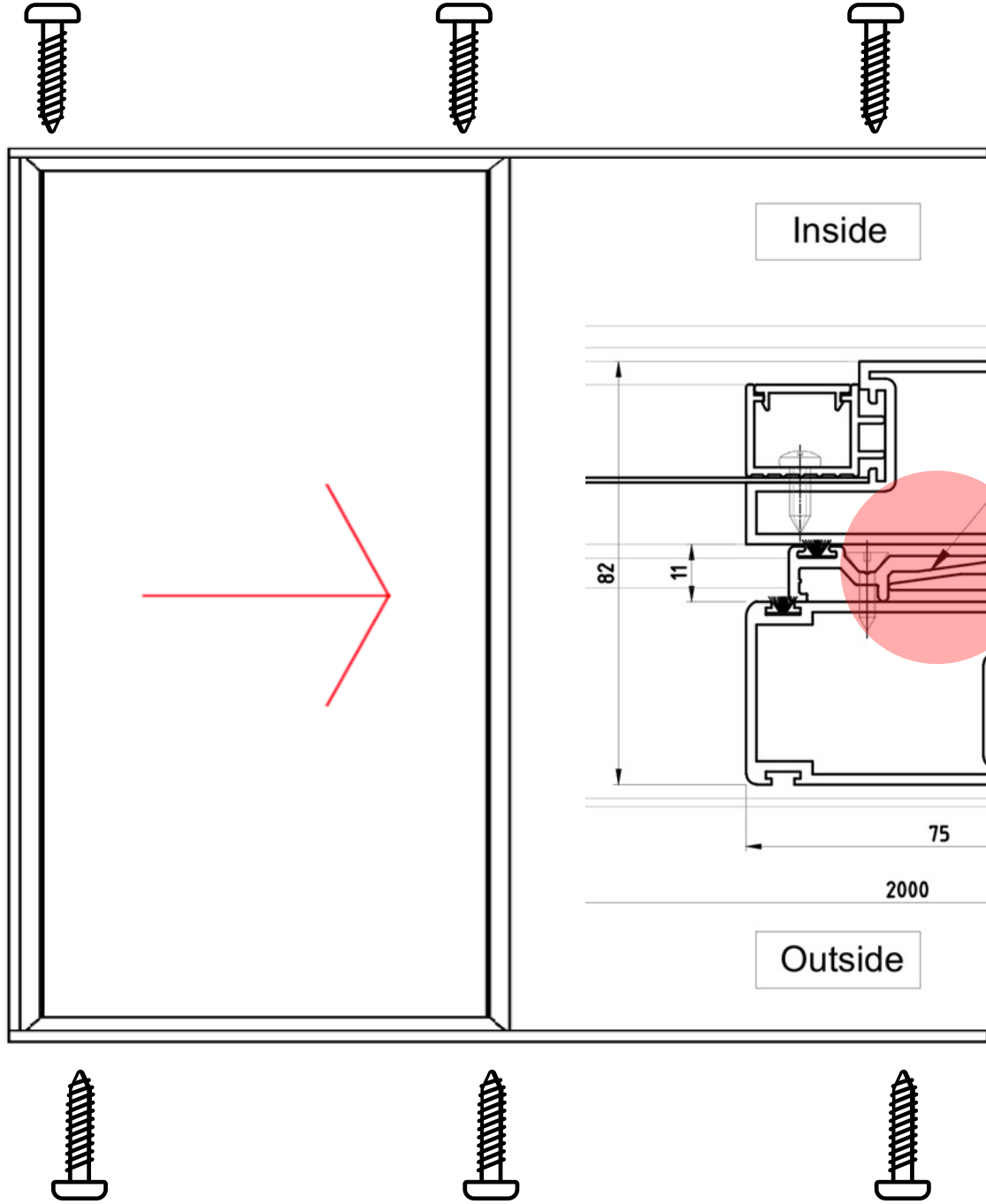


INCLUDED IN FITMENT PACK:

- Handles
- Tracks in Bundle
- Fixing Anchors
- Door Plugs
- Frame Corners



TOP VIEW

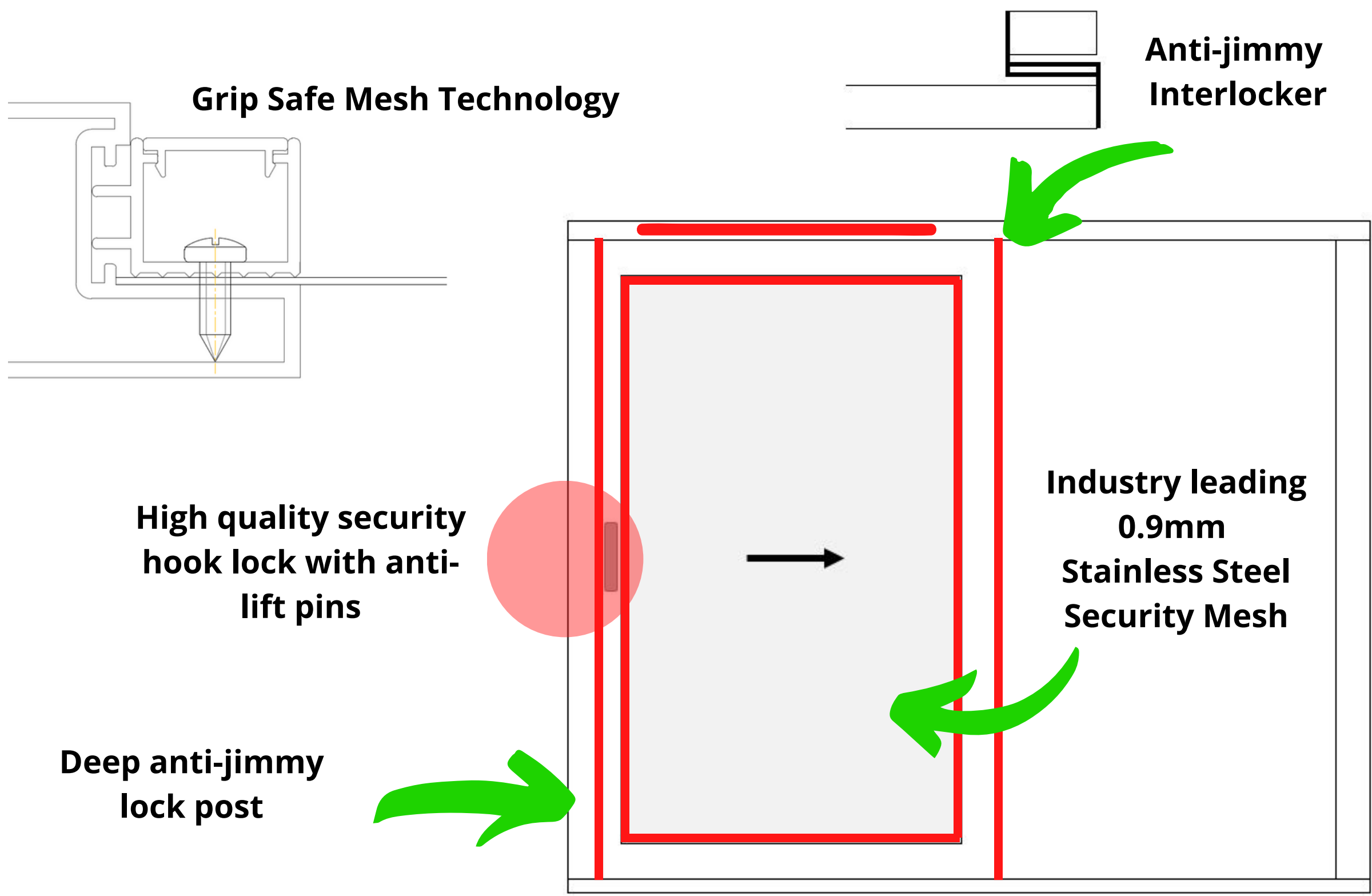


- Sliding Sash profile 6063T6 grade Al.
- Interlocker profiles 6063T6 grade Al.
- 6.7mm Woolpile
- Fixing for CS Grip Safe System @ max300mm
- Corner Star Grip Safe System 6063T6 grade Al.
- Corner Star Grip Safe Cover 6063T6 grade Al.

Black powdercoated SS316 Marine graded Stainless Steel Mesh with a 1.5mm apt and a 0.9mm wire thickness.

CS Interlocker fixes onto existing door interlocker

SECURITY FEATURES



FOLDING SERIES

SECURITY SCREENS

You have a Sliding Folding Door system? This Folding Secure Door Solution can match your current sliding Folding or "Stacking Door".

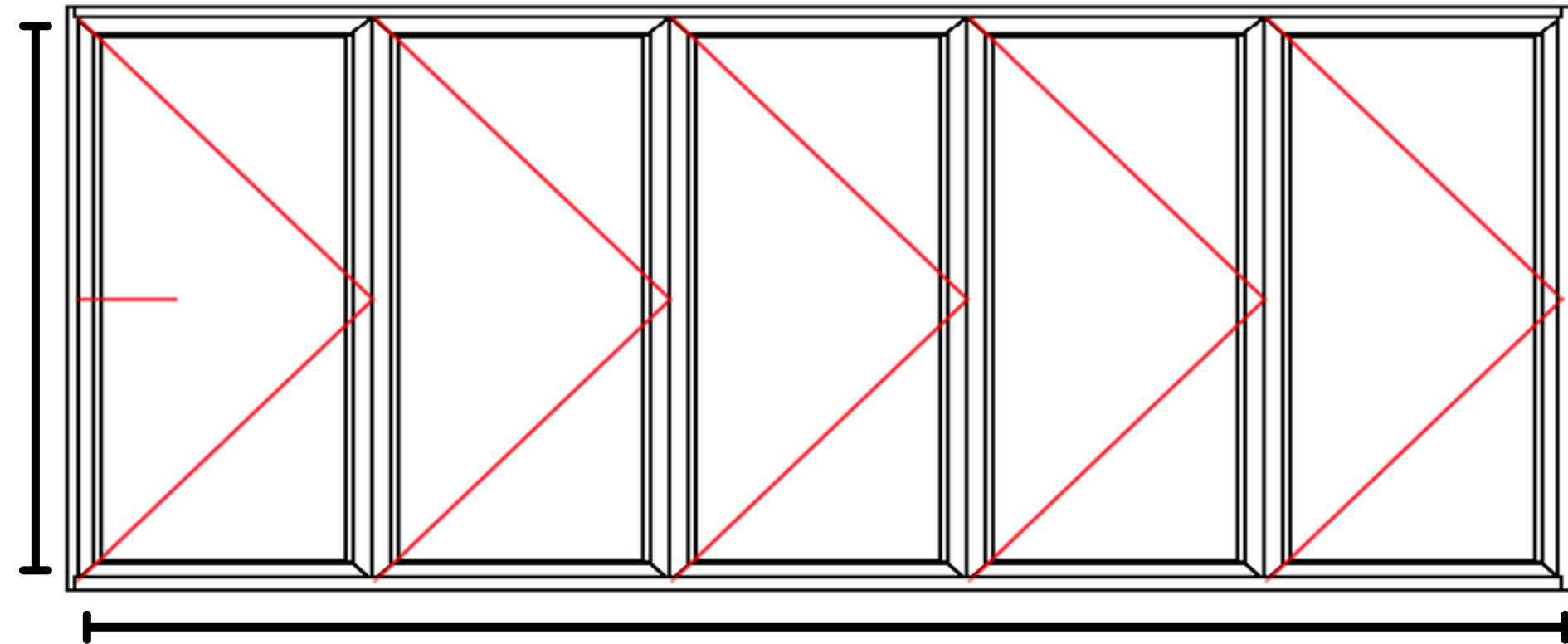
Currently a very popular solution known as the "stacking door" in the glass and aluminium industry gives you the opportunity to match the design in your home by securing it with a Folding Series Security Screen but still have clear visibility to your surroundings.

We offer a Side or Centre Opening solution as well as a Bi-Fold option.



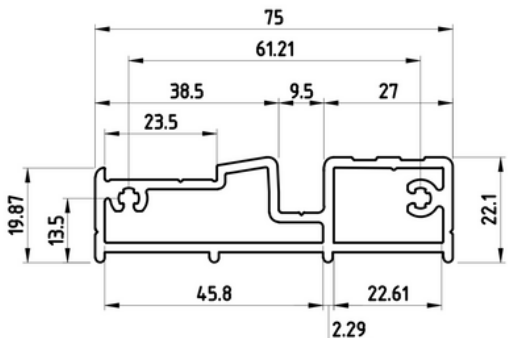
MEASURING

Smallest reveal drop in mm

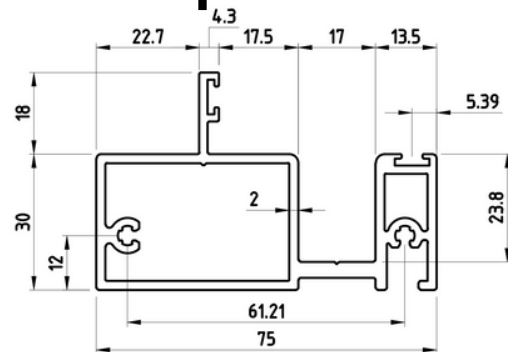


Smallest reveal width - wall to wall

Bottom Track



Top Track



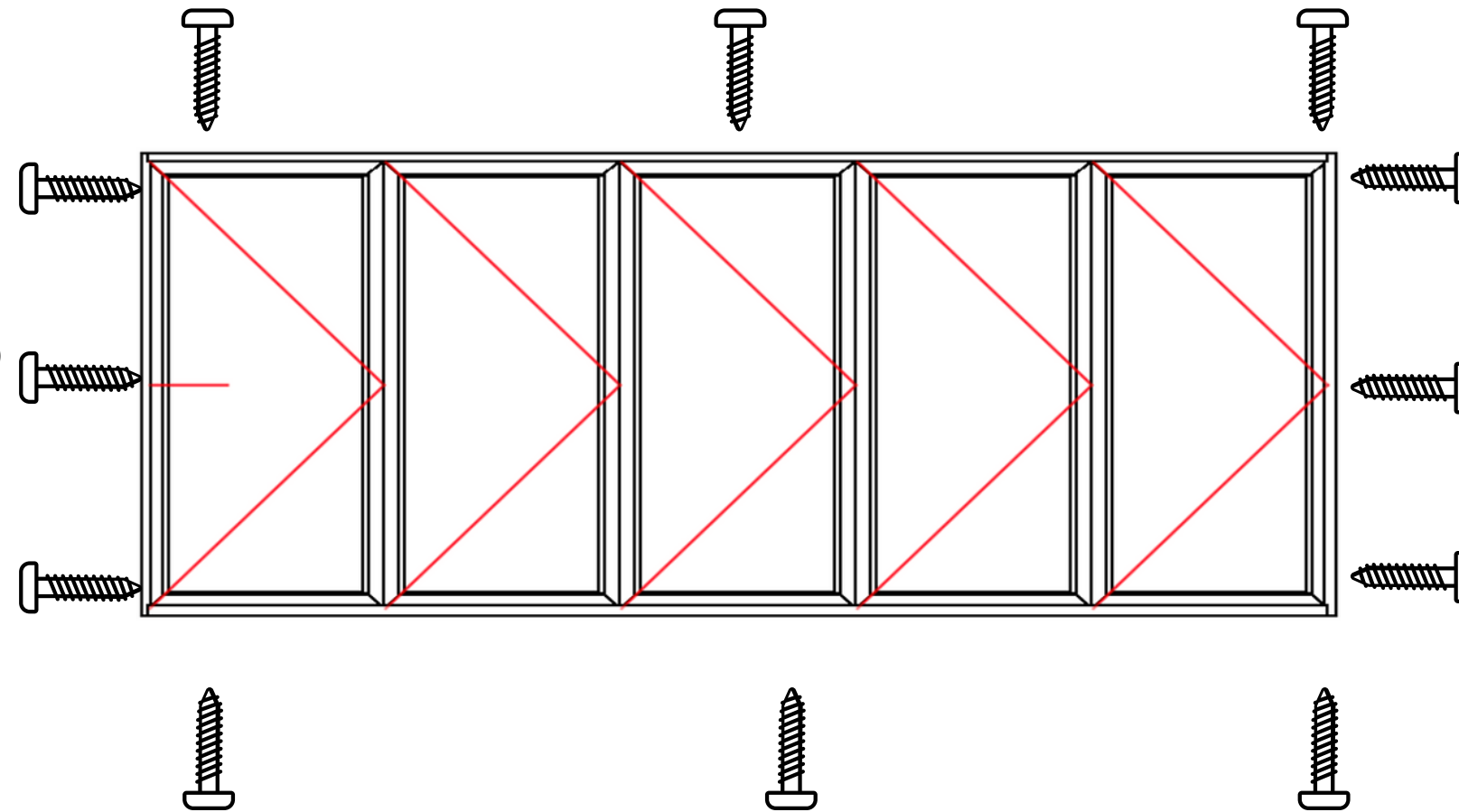
- Advise which colour will match
- Take note of current opening and number of panels.
- Take a photo if necessary.
- Confirm whether existing door handle protrudes past current door frame.
- Confirm Side/Centre Opening.

FOLDING SERIES

SECURITY SCREENS

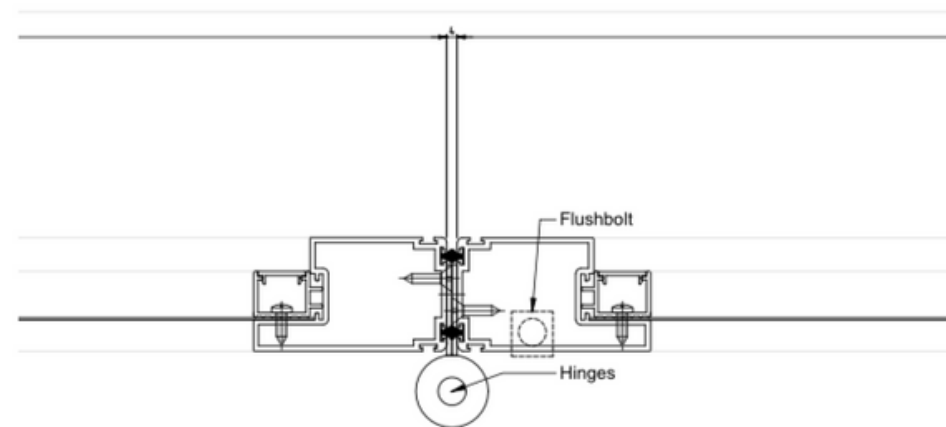
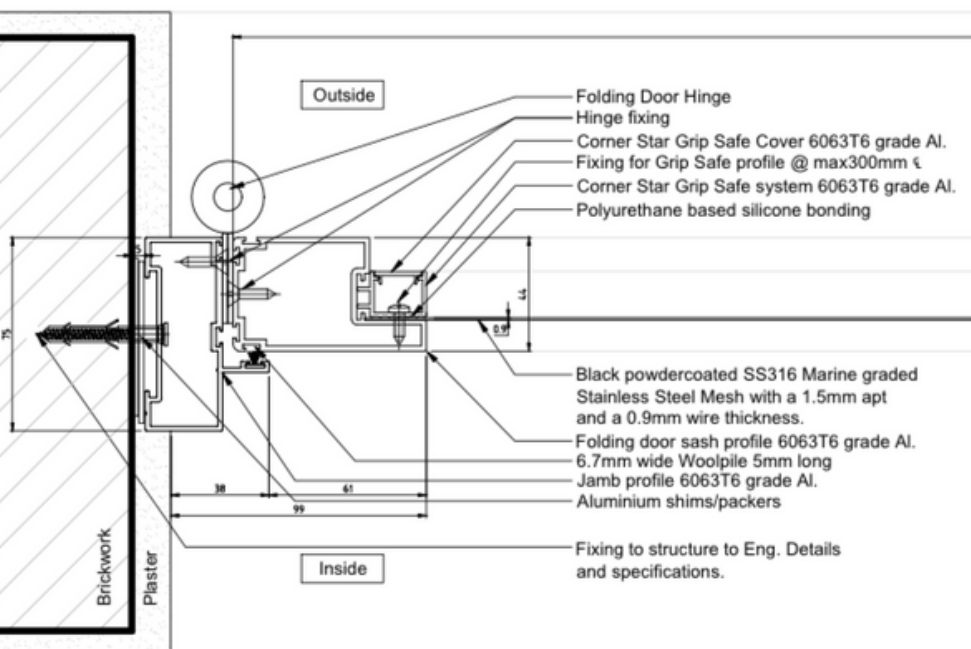
INSTALLATION

1. Place Sill in position & drill fixing holes.
2. Drill 8mm holes into floor.
3. Secure Sill with fixing anchors.
4. Repeat steps 1-3 with Top & Side track
5. Lift door screen into top track and drop down on sill.
6. Install handle on door screen.
7. Test Screen

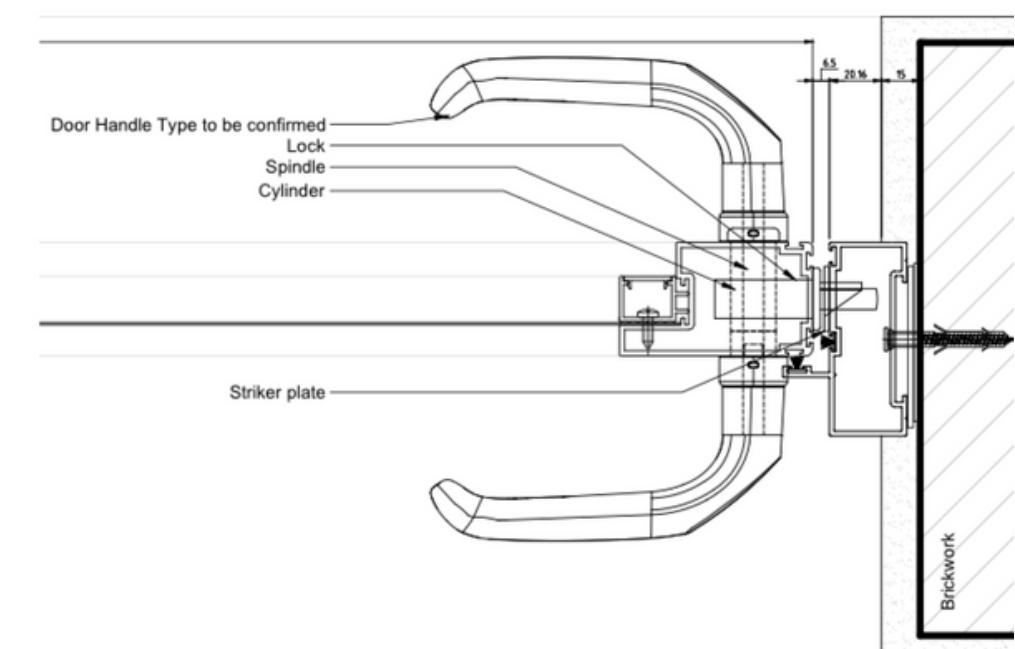
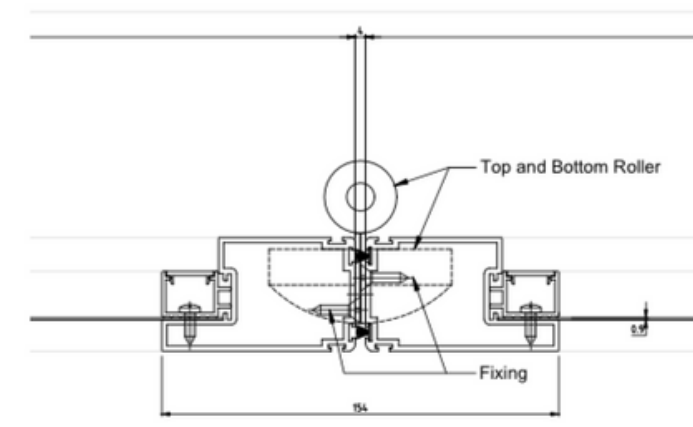


INCLUDED IN FITMENT PACK:

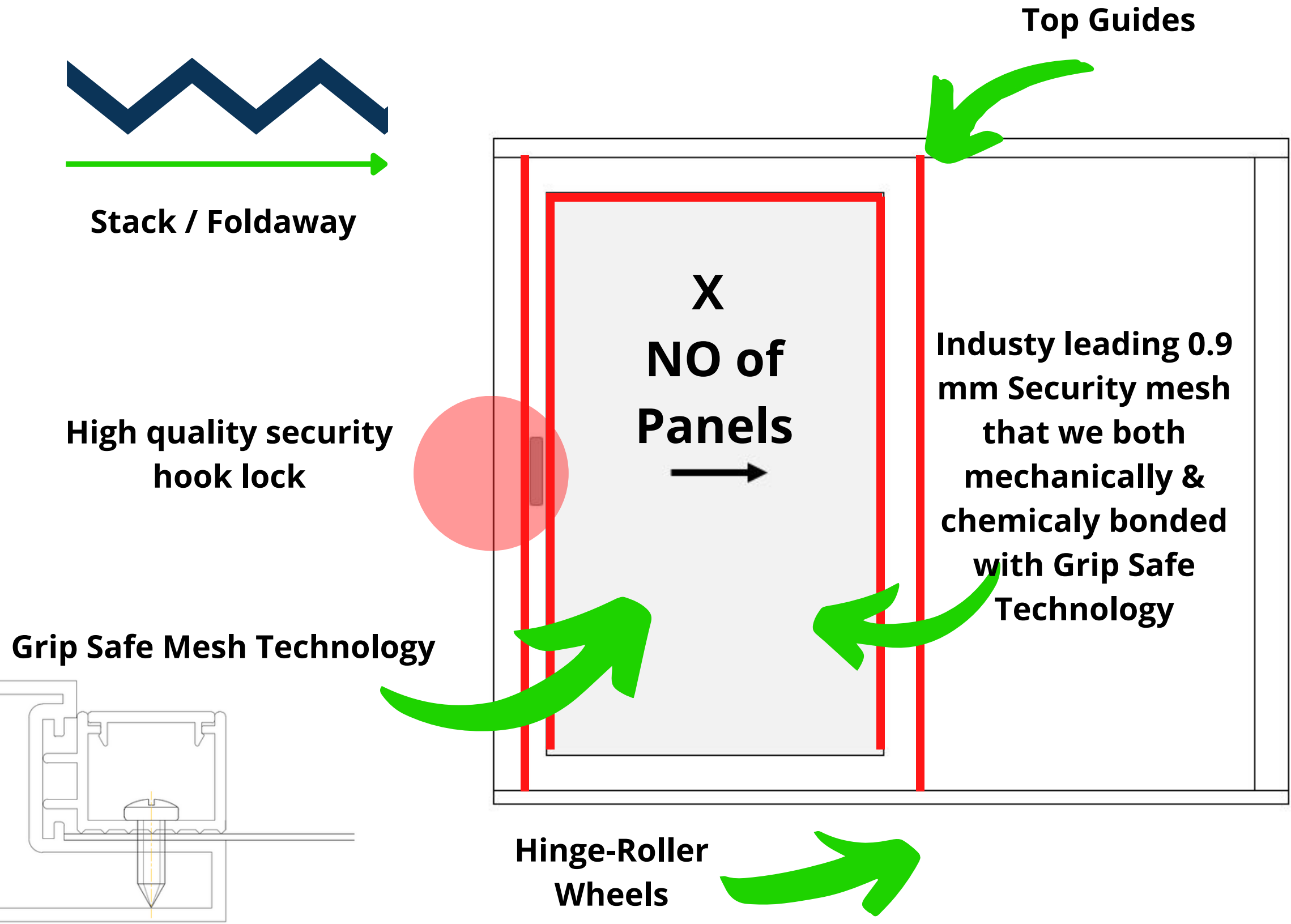
- Handles
- Tracks in Bundle
- Fixing Anchors
- Door plugs
- Cleaning Guide



TOP VIEW



SECURITY FEATURES



SUPPORT

We offer the following support:

- Sales, Supply & Installation
- Onboarding Sales Support
- Onboarding Installation Support
- On-site Sales Support
- On-site Installation Support
- Dealer Criteria Based Pricing
- Professional Estimates
- Price Lists
- Sample Bags
- Showroom Display Stands
- Custom Showroom Samples
- Content & Media Support - Photos, Videos, Social Media.
- Brochures

CORNER STAR
INSECT & SECURITY SCREENS

Date: _____
 Quotation Number: _____
 Customer Name: _____
 Contact Tel: _____
 Installation Address: _____
 Email: _____
 SALES REP: _____

QUOTATION

Corner Star Gauteng & Mpumalanga
 Unit 1, 35 Radio Street, Alberton, Gauteng
 Gauteng & Mpumalanga: 011 027 4854 | Iwan Sticking - 079 108 4409
 Fax: 086 480 7651
 Email: info@flyscreen.co.za
 Website: www.flyscreen.co.za | www.cornerstarsa.co.za

NO.	Colour	Room Window No.	Select Product Range	QTY	W IN MM	I O	H IN MM	I O	PRODUCT DESCRIPTION	VIEW & FIT			UNIT PRICE	TOTAL
										INSIDE	OUTSIDE	LOCK		
1													0,00	
2													0,00	
3													0,00	
4													0,00	
5													0,00	
6													0,00	
7													0,00	
8													0,00	
9													0,00	
11													0,00	
12													0,00	
13													0,00	
14													0,00	
15													0,00	
16													0,00	
17													0,00	
18													0,00	
19													0,00	
20													0,00	
21													0,00	
22													0,00	
23													0,00	
24													0,00	
26													0,00	
27													0,00	
28													0,00	
29													0,00	
30													0,00	
31													0,00	
32													0,00	
33													0,00	
34													0,00	
35													0,00	
36													0,00	
37													0,00	
38													0,00	
40													0,00	
41													0,00	
42													0,00	
43													0,00	
44													0,00	
45													0,00	
46													0,00	

Quotation Accepted: _____ Date of Approval: _____

When approved and deposit received, Flyscreen orders will be completed within 10 - 15 working days and Secure Screens 15 - 25 working days.

Terms & Conditions:
PAYMENT: 50% deposit on Flyscreens & 80% Deposit on Secure Screens, and balance on delivery/collection/installation completed. Signed quotation, written approval or payment are executed as we do not accept hard cash offers in order to avoid paying VAT. We are committed to paying VAT as the law requires.
 The customer acknowledges any items supplied/manufactured/installed, remains the property of Corner Star Gauteng & Mpumalanga until account is paid in full.
Incomplete work | Snags: On installation, client will receive a fitment report whereby any grievances, changes or errors will be recorded and dealt with and communicate completion date.
Cancellation: Upon receiving approval instructions for manufacturing & payment, no refunds are negotiable. When goods have not been manufactured yet, refund can be negotiated.
Export/Supplying of goods: ALL goods are payable in full when supplied or supplied & exported. Zero Rated Tax invoice.
 We will be responsible for transport when goods are exported to ensure complete exporting documents in order.
INSECT SCREENS: 5 Year Guarantee on Aluminium Profiles | 1 Year Guarantee on Hardware & Netting - Subject to non-physical damage
SECURE SCREENS: 5 Year Guarantee on Aluminium Profiles | 2 Year Guarantee on Locks & Hardware | 10 Year Guarantee on Black Powdercoated Stainless Steel Mesh, subject to non-physical damage.
 PLEASE NOTE THAT ANY SECURITY BARRIER CAN BE COMPROMISED, PENETRATED OR BREACHED WITH THE RIGHT TOOLS AND ENOUGH TIME.
 AS MANUFACTURER WE STRIVE TO ALWAYS PRODUCE A PRODUCT WITH HIGH QUALITY MATERIALS.

Banking Details:
 First National Bank
 Account Name: Corner Star Gauteng & Mpumalanga
 Account number: 6262 3845 099 | Branch code: 210827 | Swift Code: FIRNZAJJ
 Ref: Client Name

Total Excl vat: 0,00
 15% VAT: 0,00
 Total Incl VAT: 0,00

CORNER STAR
INSECT & SECURITY SCREENS

UPLOAD/INSERT
PHOTOS BELOW



ORDERING

Western Cape

- 021 882 8305
- bridget@cornerstarsa.co.za
- westerncape@cornerstarsa.co.za

Gauteng

- 011 027 4854
- chantel@cornerstarsa.co.za
- gauteng@cornerstarsa.co.za

Mpumalanga

- 087 094 1647
- mpumalanga@cornerstarsa.co.za

KZN

- 084 752 4895 | 084 572 4896
- info@flyscreensolutions.co.za

KZN

- 082 8944728
- nadine@cornerstarkzn.co.za
- sales@cornerstarkzn.co.za

Eastern Cape | Garden Route | Border Transkei

- 064 044 5743
- easterncape@cornerstar.co.za