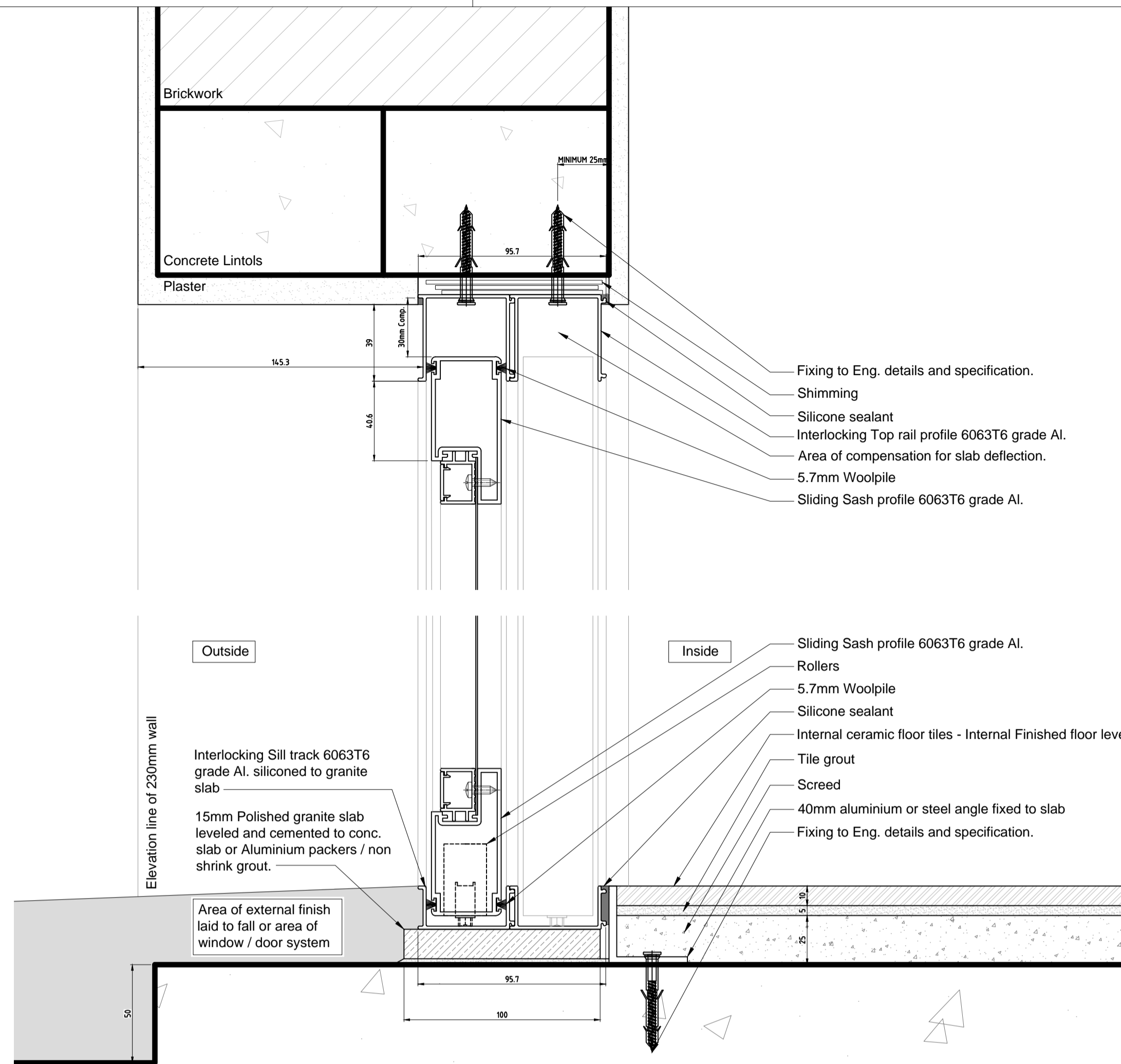


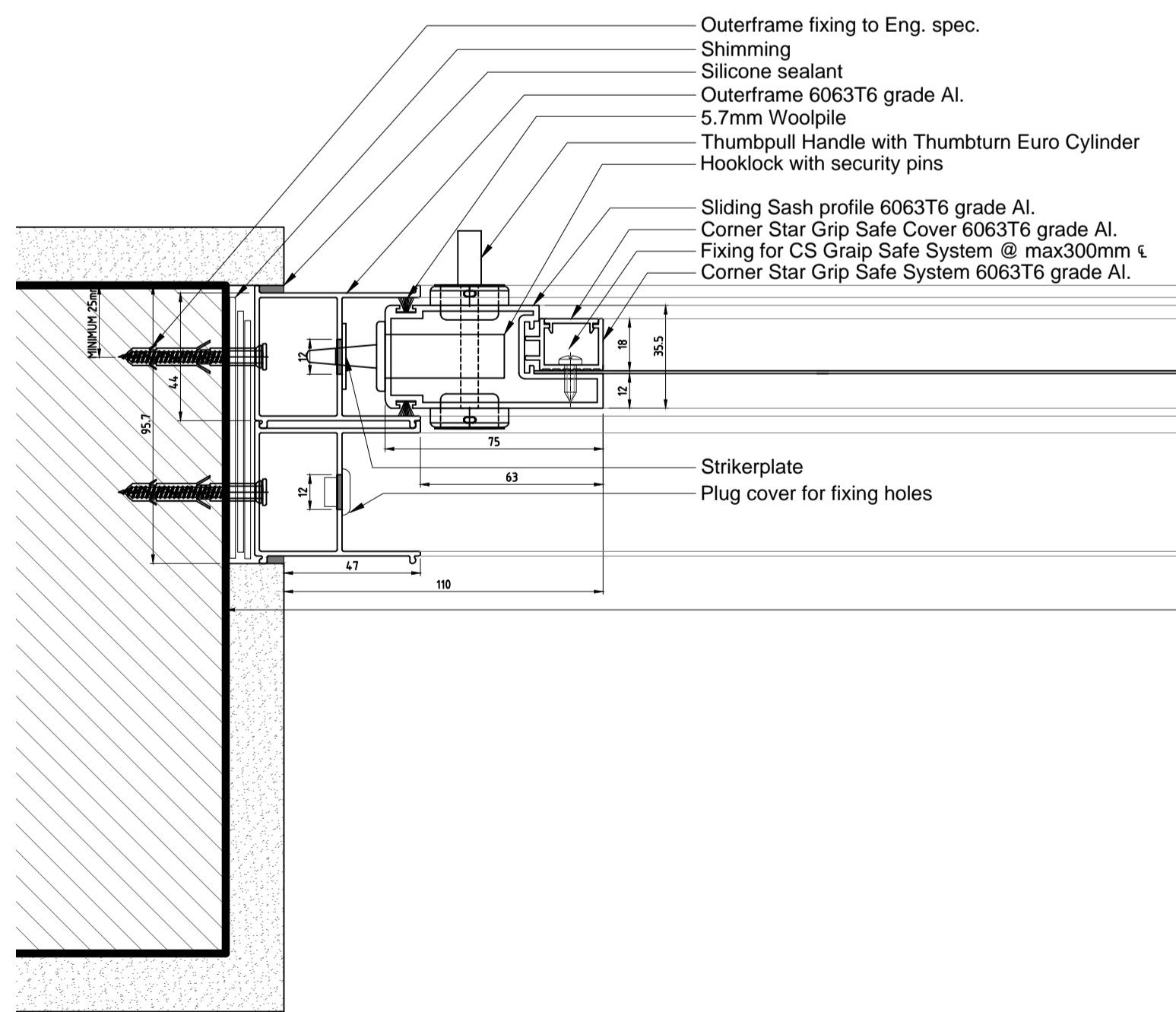
### ELEVATION

SCALE 1 : 10



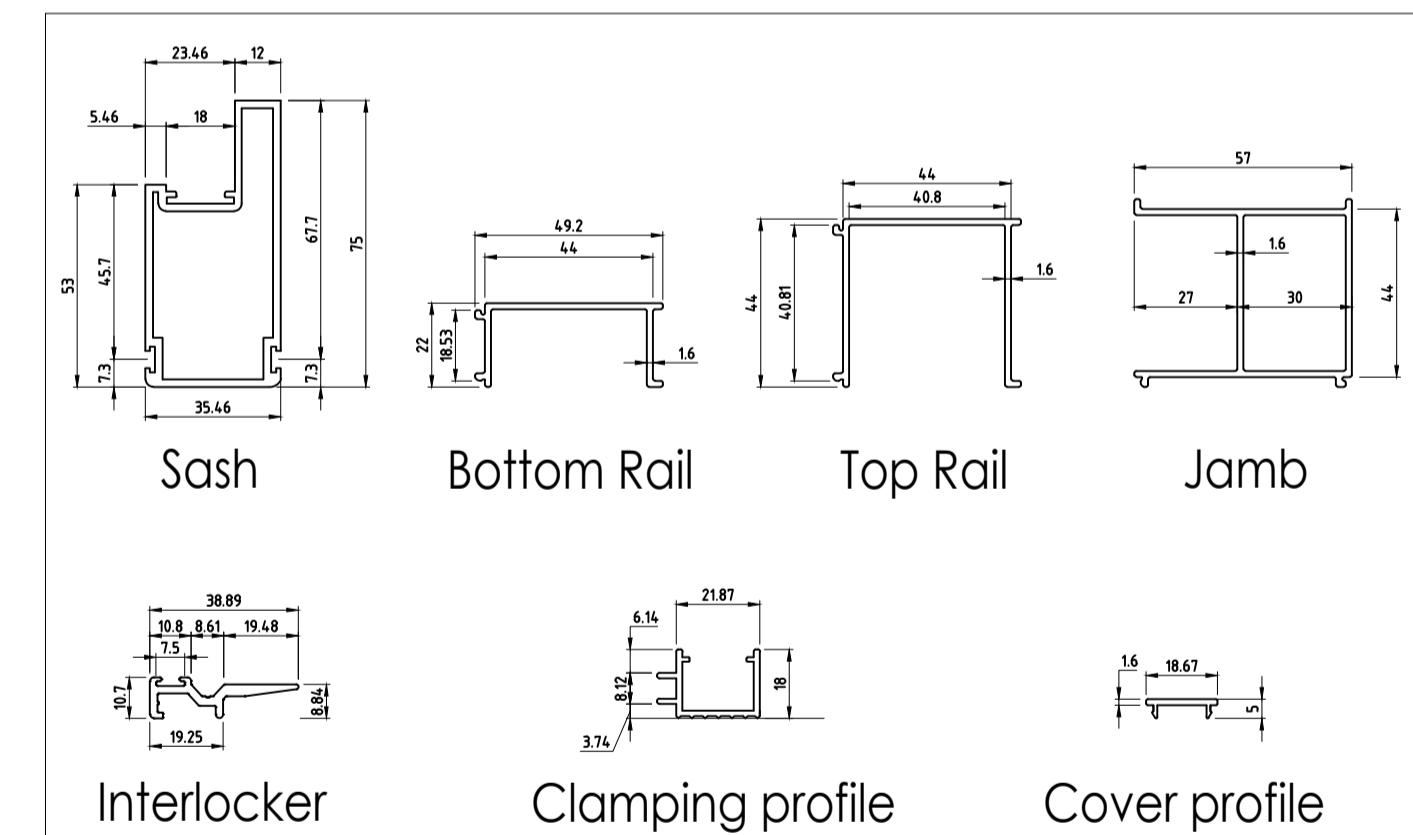
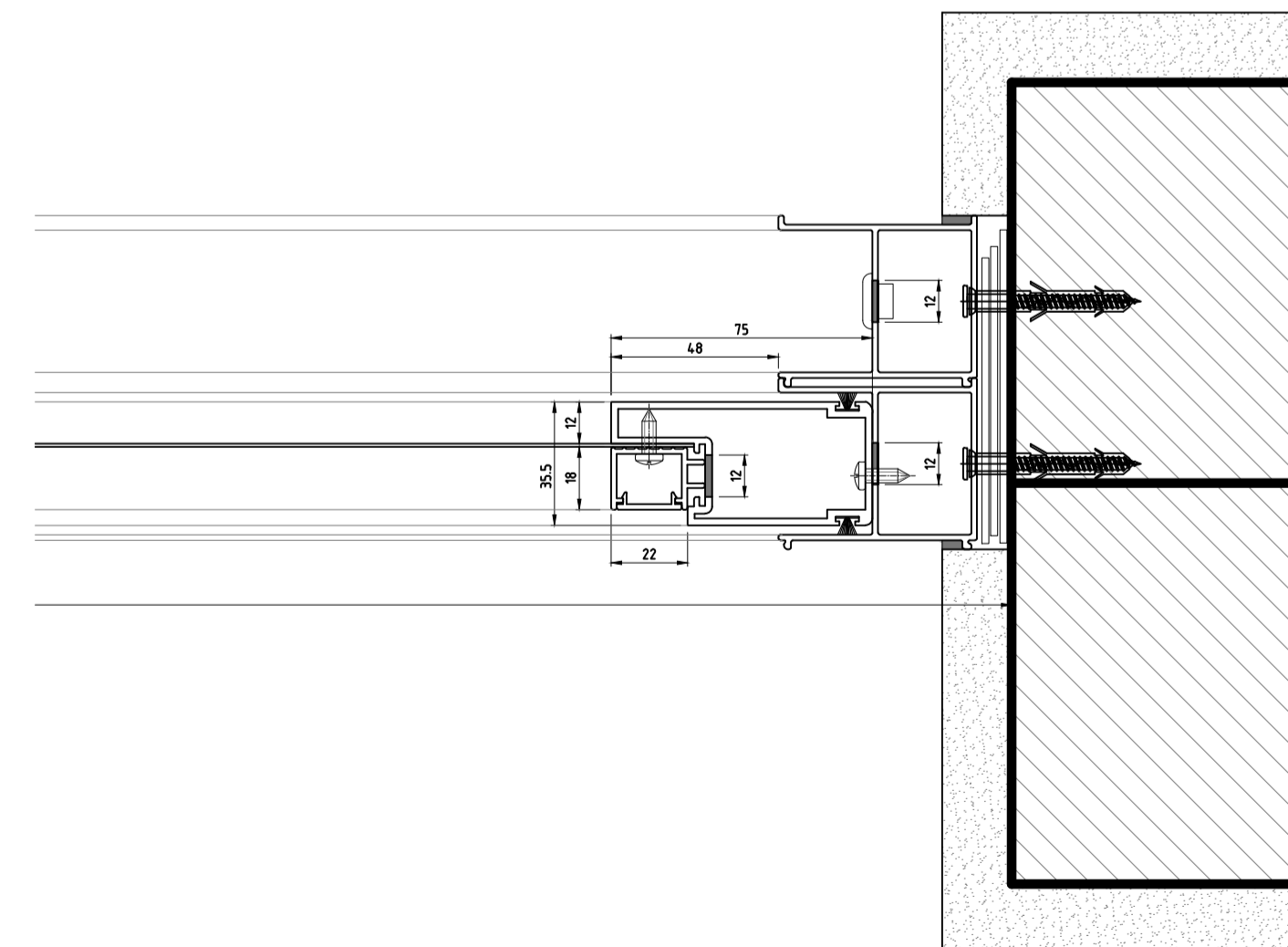
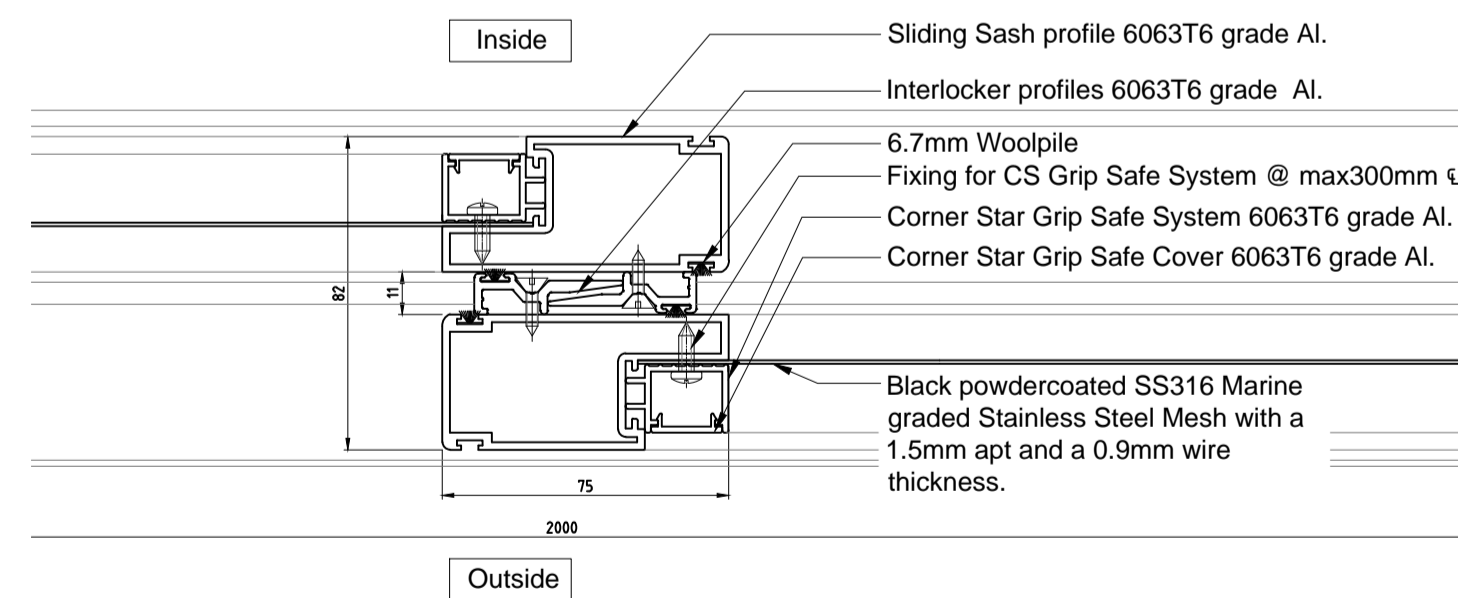
### SECTION B-B

SCALE 1 : 2



### SECTION A-A

SCALE 1 : 2



### PROFILES

SCALE 1 : 2

Project ref: TYP SL. DOOR	Item no.: 1	Date	Name	Scale
Job no.: 1	Quantity: 1	drawn 2022/08/31	M.BAKER	1:2
		revision 1		1:10

Description: Project:  
Pos.: ELEVATION AND SECTIONS

Architect: Project address:

This drawing is submitted as a guide only. It is not intended to be used for construction without the approval of the manufacturer. The manufacturer is not responsible for any errors or omissions in this drawing. All rights reserved. Please refer to the information included in our valid Cornerstar catalogue and to the use of Cornerstar trademarks. We do not bear any responsibility for possible errors. The customer should check the drawing.