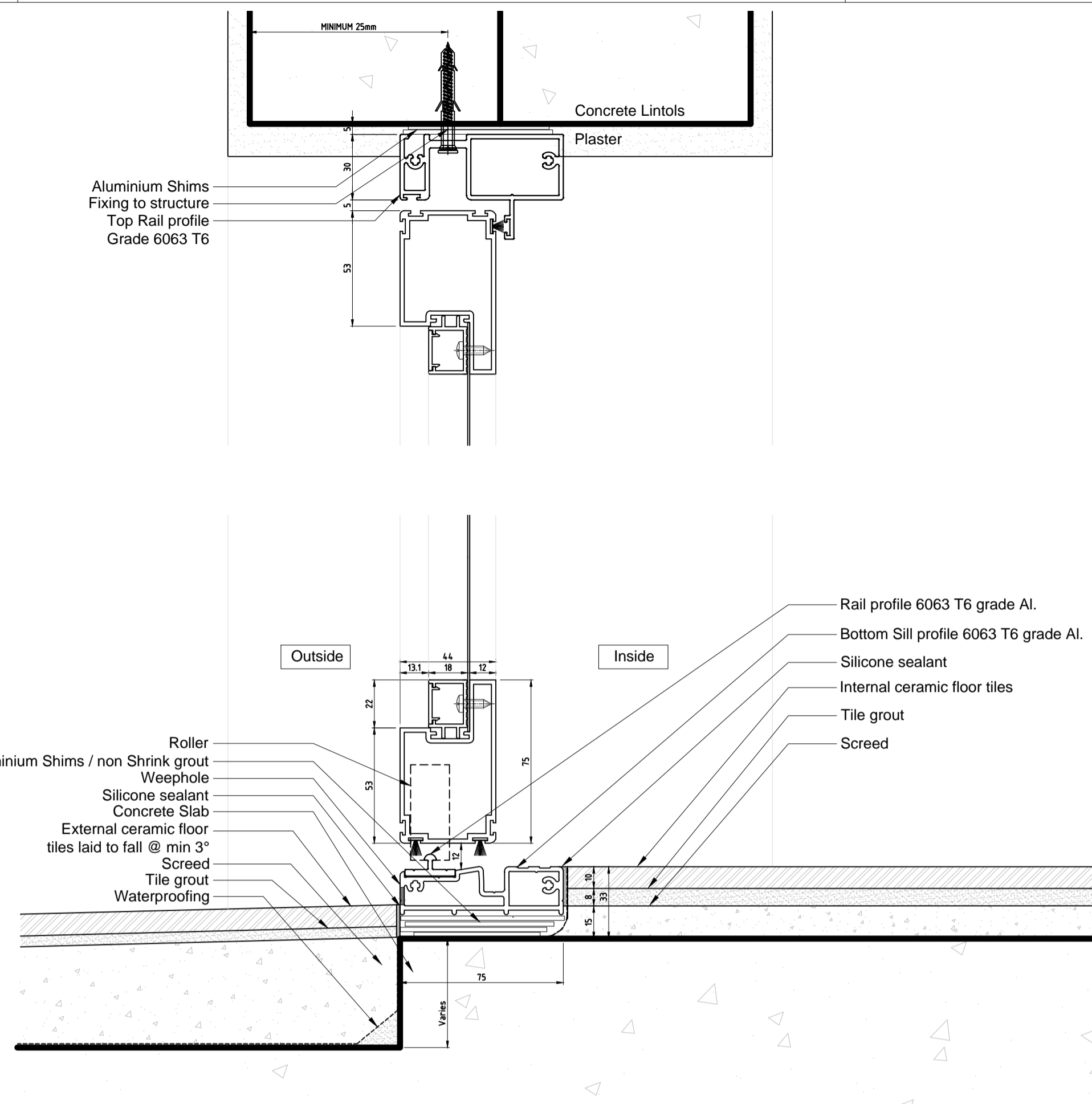


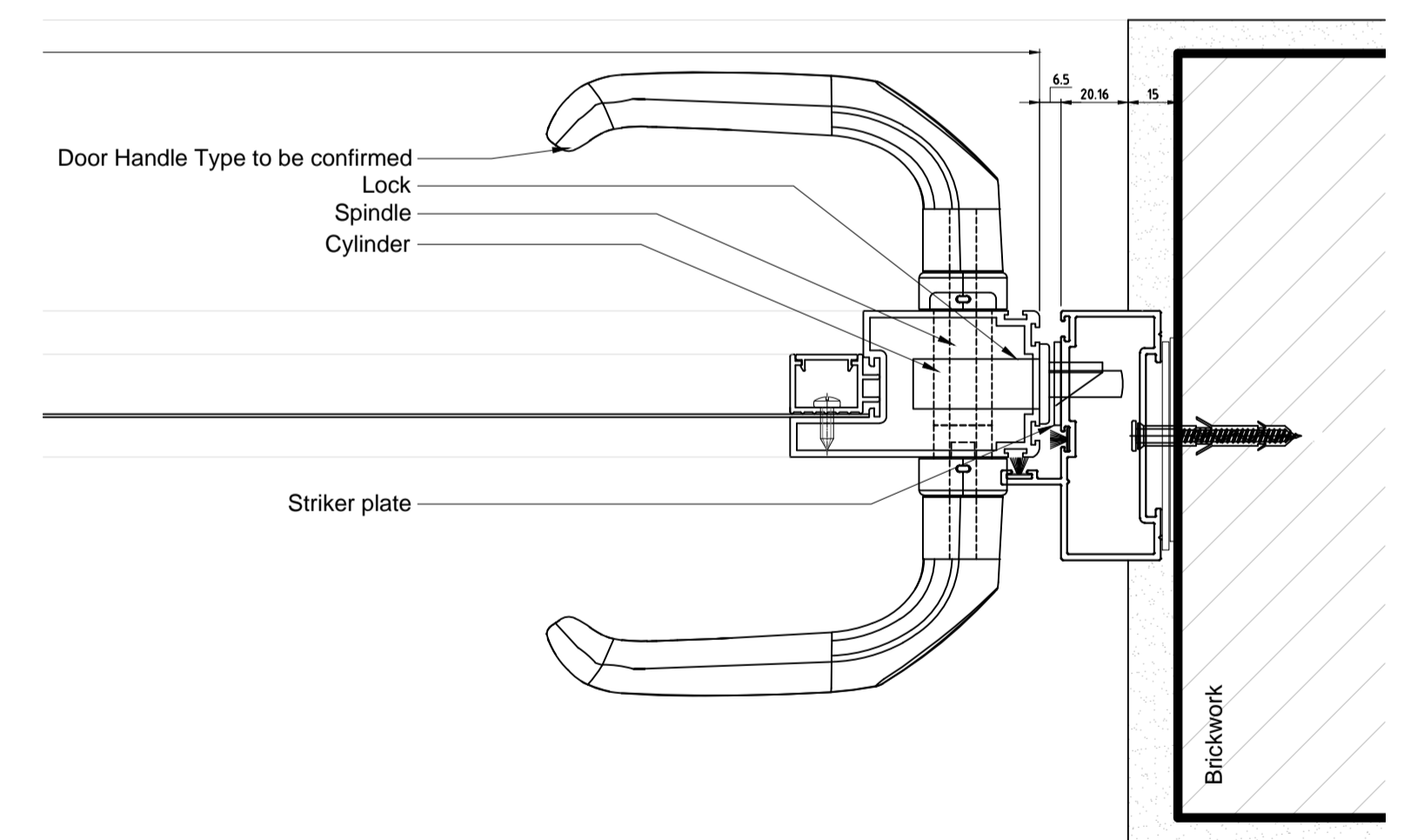
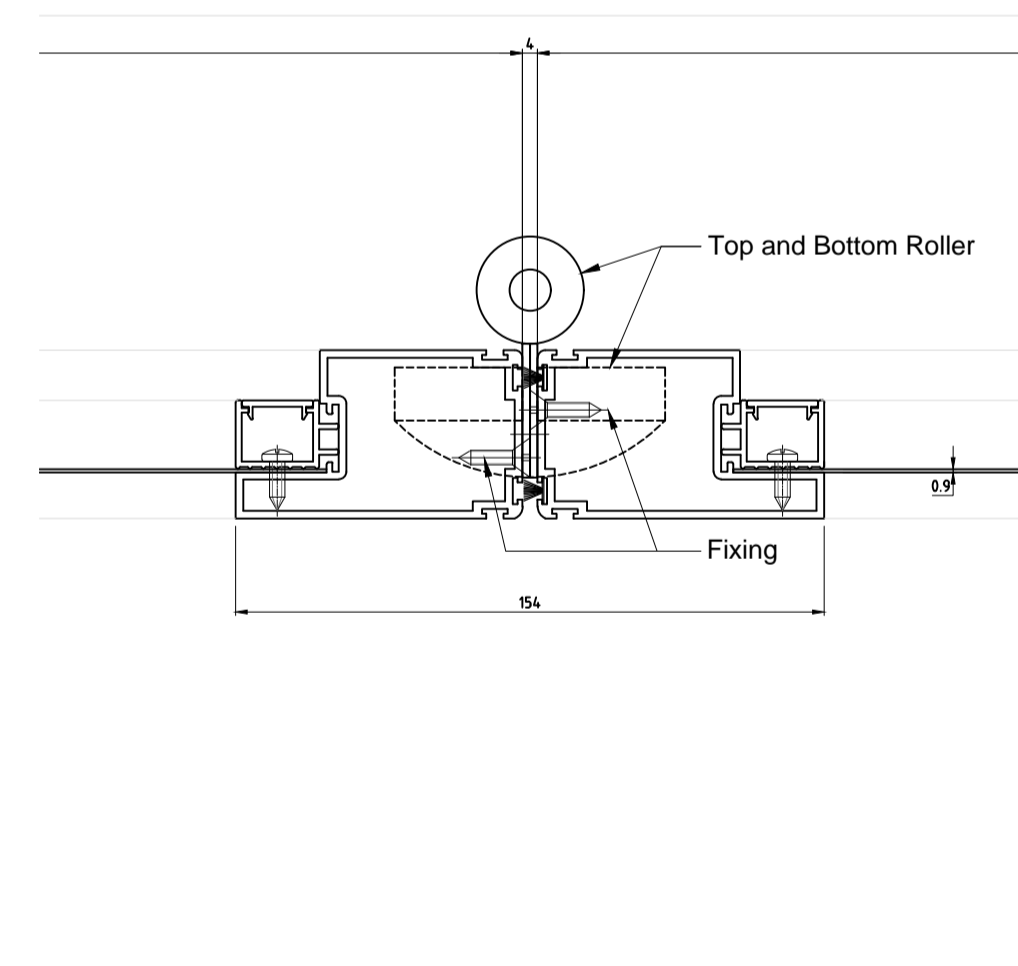
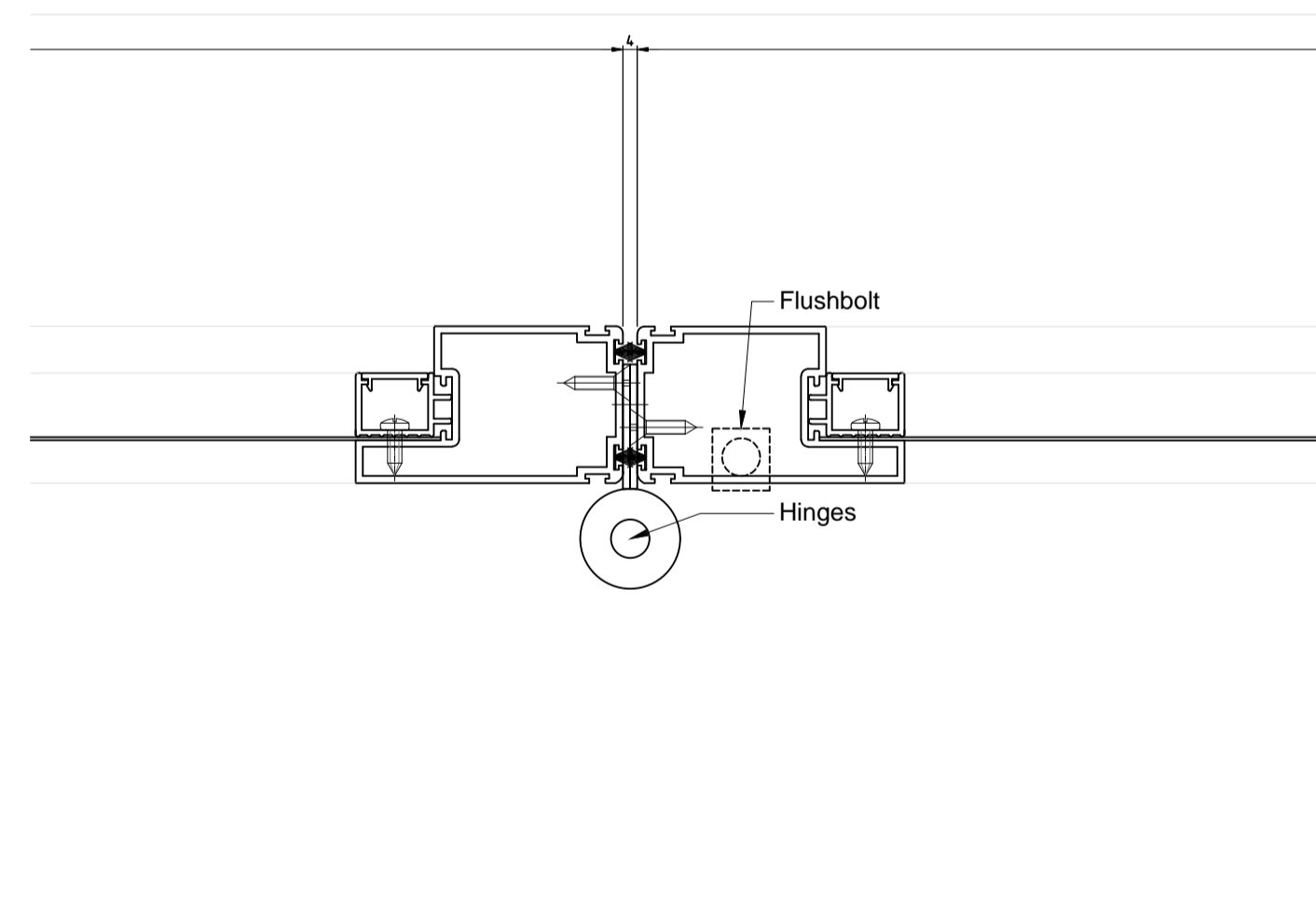
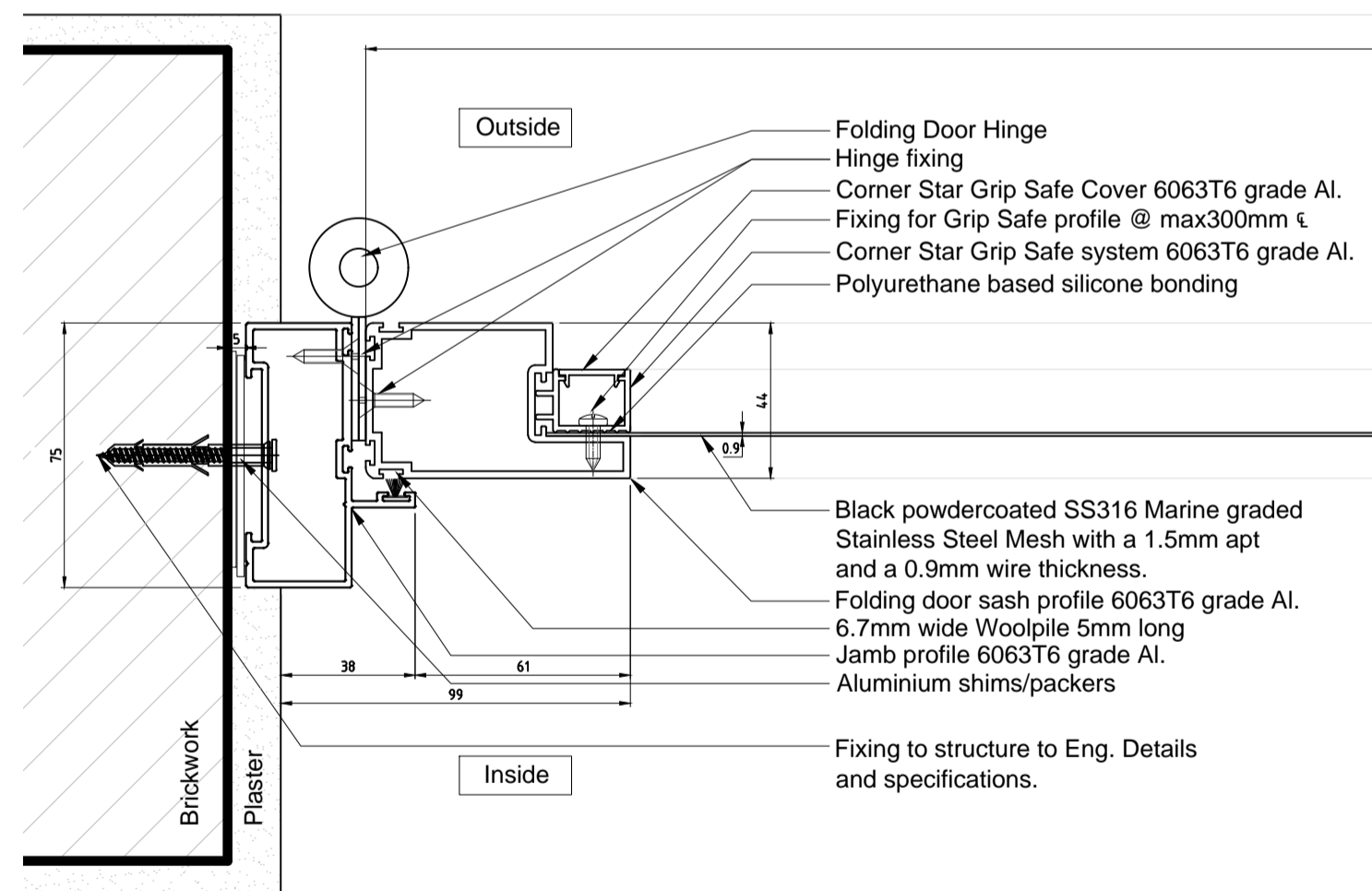
### ELEVATION

SCALE 1 : 10



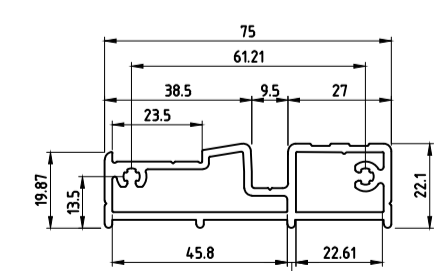
### SECTION B-B

SCALE 1 : 2

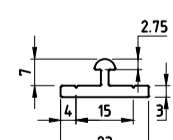


### SECTION A-A

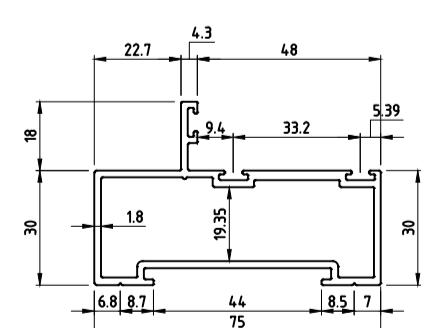
SCALE 1 : 2



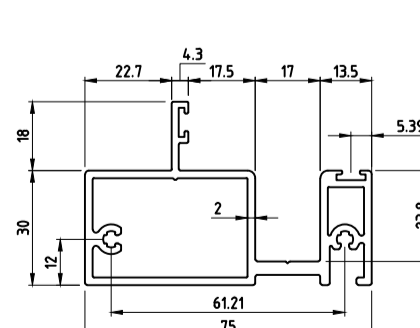
Bottom Rail



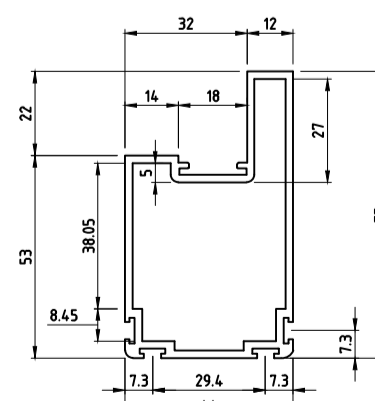
Bottom Rail track



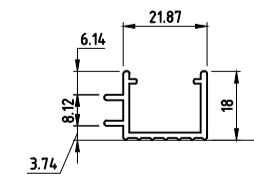
Jamb



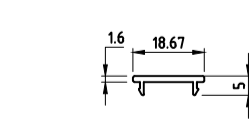
Top Rail



Sash



Clamping profile



Cover profile

### PROFILES

SCALE 1 : 2

Project ref: TYP F-DOOR	Item no.: 1	Date: 2022/9/2	Name: M.BAKER	Scale: 1:2
Job no.: 2	Quantity: 1	drawn rev: 1		1:10
Description: Project: Pos.: ELEVATION AND SECTIONS				
Architect:		Project address:		
Corner Star Screens SA (Pty) Ltd 21 Kraainboom Avenue Centurion Tel: +27 011 027 4854 Email: sales@cornerstar.co.za				3 Panel folding security screen door/window

This drawing is made available to you as a guide only. It is not intended to be used for construction or manufacturing purposes. All rights reserved. No part of this drawing may be reproduced, stored in a retrieval system, or transmitted in any form or by any means, electronic, mechanical, photocopying, recording, or by any information storage and retrieval system, without the prior written permission of Corner Star Screens SA (Pty) Ltd. Please refer to the information included in our valid Corner Star catalogue and to the use of Corner Star trademarks. We do not bear any responsibility for possible errors. The customer should check the drawing.